

Dell™ XPS™ 710 Service Manual

[About Your XPS Computer](#)
[Before You Begin](#)
[Removing the Computer Cover](#)
[Technical Overview](#)
[Removing and Installing Parts](#)
[Replacing the Computer Cover](#)
[Advanced Troubleshooting](#)
[System Setup](#)
[Technical Specifications](#)

Model DCDO

Notes, Notices, and Cautions



NOTE: A NOTE indicates important information that helps you make better use of your computer.



NOTICE: A NOTICE indicates either potential damage to hardware or loss of data and tells you how to avoid the problem.



CAUTION: A CAUTION indicates a potential for property damage, personal injury, or death.

If you purchased a Dell™ n-Series computer, any references in this document to Microsoft® Windows® operating systems are not applicable.

Information in this document is subject to change without notice.

© 2006 Dell Inc. All rights reserved.

Reproduction in any manner whatsoever without the written permission of Dell Inc. is strictly forbidden.

Trademarks used in this text: *Dell*, the *DELL* logo, and *Dell XPS* are trademarks of Dell Inc.; *Intel* and *Pentium* are registered trademarks of Intel Corporation; *Microsoft* and *Windows* are registered trademarks of Microsoft Corporation.

Other trademarks and trade names may be used in this document to refer to either the entities claiming the marks and names or their products. Dell Inc. disclaims any proprietary interest in trademarks and trade names other than its own.

September 2006 Rev. A00

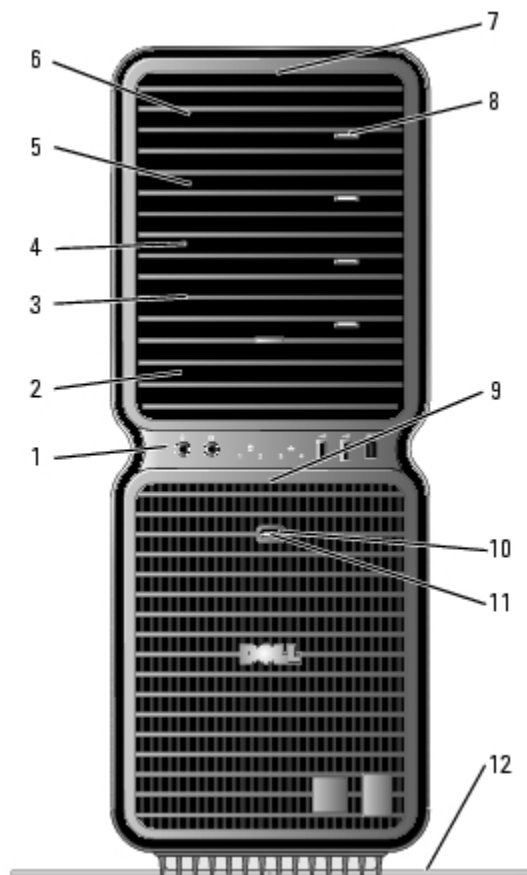
About Your XPS Computer

Dell™ XPS™ 700 Service Manual



[Front View](#)

[Back View](#)

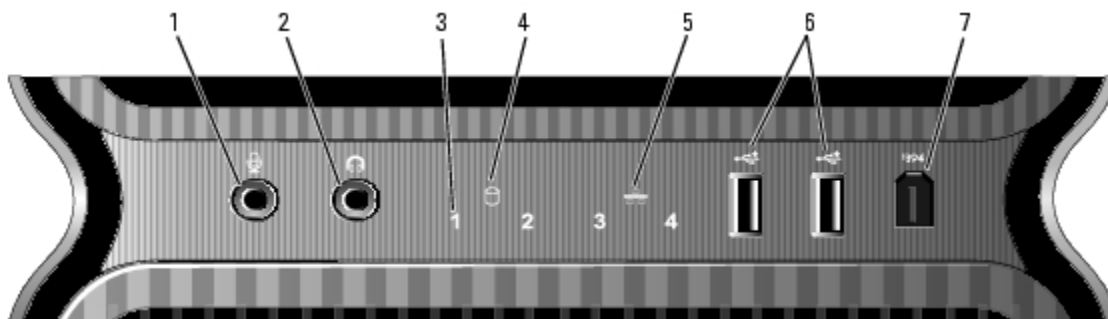
Front View



1	front I/O connectors	Plug USB and other devices into the appropriate connectors (see Front I/O Connectors).
2	3.5-inch drive bays (2)	Can hold an optional Media Card Reader or floppy drive.
3-6	5.25-inch drive bays (4)	Can hold a CD/DVD drive, or a SATA hard drive in a 5.25-inch drive bay carrier. NOTE: The hard-drive carrier is only for use in the 5.25-inch drive bays. The floppy-drive/Media Card Reader and hard-drive carriers are not interchangeable.
7	front panel LEDs (4)	Multi-colored lights provide illumination for the front of the computer. NOTE: The color of the front panel LEDs can be adjusted in system setup (see System Setup).
8	CD/DVD	Use to eject the drive tray of a CD/DVD drive.

	drive tray eject button (4)	NOTE: The CD/DVD drive tray eject button is not a handle. The self-tending doors open automatically when the eject button is pressed and the drive tray is ejected.
9	front panel LEDs (4)	Multi-colored lights provide illumination for the front of the computer. NOTE: The color of the front panel LEDs can be adjusted in system setup (see System Setup).
10	power button	Press to turn on the computer.  NOTICE: To avoid losing data, do not use the power button to turn off the computer. Instead, perform an operating system shutdown. NOTE: The power button can also be used to wake the system or to place it into a power-saving state (see "Power Management" in your <i>Owner's Manual</i>).
11	power light	The power light illuminates and blinks or remains solid to indicate different states: <ul style="list-style-type: none"> ○ No light — The computer is turned off. ○ Steady green — The computer is in a normal operating state. ○ Blinking green — The computer is in a power-saving state. ○ Steady amber — There may be a problem with an installed device. ○ Blinking amber — An internal power problem may exist.
12	computer stand	Attach the computer stand to provide stability to the system.  CAUTION: The computer stand should be installed at all times to ensure maximum system stability. Failure to install the stand could result in the computer tipping over, potentially resulting in bodily injury or damage to the computer.

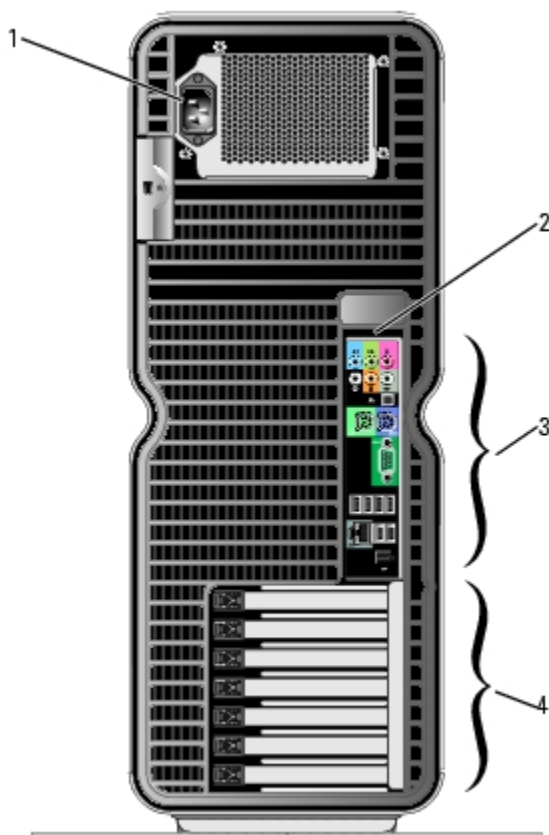
Front I/O Connectors



1	microphone connector	Use the microphone connector to attach a personal computer microphone for voice or musical input into a sound or telephony program.
2	headphone connector	Use the headphone connector to attach headphones.
3	diagnostic lights (4)	Use the sequence of these diagnostics lights to help troubleshoot a problem with your computer (see Diagnostic Lights).
4	hard-drive activity light	The hard drive light is on when the computer reads data from or writes data to the hard drive. The light may also be on when a device such as your CD player is operating.
5	network link light	The network link light is on when a good connection exists between a network and the computer.

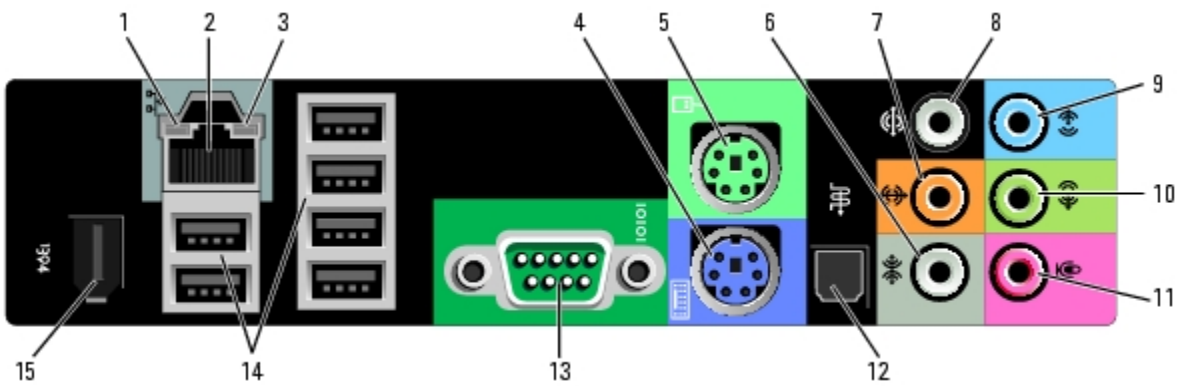
6	USB 2.0 connectors (2)	Use the front USB connectors for devices that you connect occasionally, such as flash memory keys, cameras, or bootable USB devices. For more information on bootable USB devices see Boot Sequence . It is recommended that you use the back USB connectors for devices that typically remain connected, such as printers and keyboards.
7	IEEE 1394 connector	Use the IEEE 1394 connector for high-speed data devices such as digital video cameras and external storage devices.

Back View



1	power connector	Insert the power cable. The appearance of this connector may differ from what is pictured.
2	back panel LEDs (2)	Multi-colored lights provide illumination for the I/O panel on the back of the computer. NOTE: The color of the back panel LEDs can be adjusted in system setup (see System Setup).
3	back I/O connectors	Plug serial, USB, and other devices into the appropriate connectors (see Back I/O Connectors).
4	card slots	Access connectors for any installed PCI or PCI Express cards. NOTE: Some connector slots support full-length cards.

Back I/O Connectors



1	link integrity light	<ul style="list-style-type: none"> • Green — A good connection exists between a 10-Mbps network and the computer. • Orange — A good connection exists between a 100-Mbps network and the computer. • Yellow — A good connection exists between a 1000-Mbps (1-Gbps) network and the computer. • Off — The computer is not detecting a physical connection to the network.
2	network adapter connector	<p>NOTICE: Do not plug a telephone cable into the network adapter connector.</p> <p>Use the network adapter connector to attach your computer to a network or broadband device. Connect one end of a network cable to either a network jack or your network or broadband device, and then connect the other end of the network cable to the network adapter connector on your computer. A click indicates that the network cable has been securely attached.</p> <p>On computers with an additional network connector card, use the connectors on the card and on the back of the computer when setting up multiple network connections (such as a separate intra- and extranet).</p> <p>NOTE: It is recommended that you use Category 5 wiring and connectors for your network. If you must use Category 3 wiring, force the network speed to 10 Mbps to ensure reliable operation.</p>
3	network activity light	Flashes a yellow light when the computer is transmitting or receiving network data. A high volume of network traffic may make this light appear to be in a steady "on" state.
4	keyboard connector	Plug a standard PS/2 keyboard into the purple keyboard connector. Turn off the computer and any attached devices before you connect a keyboard to the computer. If you have a USB keyboard, plug it into a USB connector.
5	mouse connector	Plug a standard PS/2 mouse into the green mouse connector. Turn off the computer and any attached devices before you connect a mouse to the computer. If you have a USB mouse, plug it into a USB connector.
6	side surround sound connector	Use the (silver) side surround connector to attach additional speakers.
7	center subwoofer/LFE connector	<p>Use the (orange) subwoofer connector to attach a single subwoofer.</p> <p>NOTE: The LFE (Low Frequency Effects) Audio channel, found in digital surround sound audio schemes, carries only low frequency information of 80 Hz and below. The LFE channel drives a subwoofer to provide extremely low bass extension. Systems not using subwoofers can shunt the LFE information to the main speakers in the surround sound setup.</p>

8	surround sound connector	Use the (black) surround sound connector to attach multichannel-capable speakers.
9	line-in connector	Use the (blue) line-in connector to attach a record/playback device such as a cassette player, CD player, or VCR. On computers with a sound card, use the connector on the card.
10	line-out/headphone connector	Use the (green) line-out connector to attach headphones and speakers with integrated amplifiers. On computers with a sound card, use the connector on the card.
11	microphone connector	Use the (pink) microphone connector to attach a personal computer microphone for voice or musical input into a sound or telephony program.
12	S/PDIF connector	Use the S/PDIF connector to transmit digital audio without going through an analog audio conversion process.
13	serial connector	Connect a serial device, such as a handheld device, to the serial port. If necessary, the address for this port can be modified through system setup (see System Setup).
14	USB 2.0 connectors (6)	Use the back USB connectors for devices that typically remain connected, such as printers and keyboards. NOTE: It is recommended that you use the front USB connectors for devices that you connect occasionally, such as flash memory keys, cameras, or bootable USB devices.
15	IEEE 1394 connector	Use the IEEE 1394 connector for high-speed data devices such as digital video cameras and external storage devices.

[Back to Contents Page](#)

Before You Begin

Dell™ XPS™ 700 Service Manual

[Getting Started](#)

Getting Started

This chapter provides procedures for removing and installing the components in your computer. Unless otherwise noted, each procedure assumes that a component can be replaced by performing the removal procedure in reverse order.

Recommended Tools

The procedures in this document may require one or more of the following tools:

- Small flat-blade screwdriver
- Phillips screwdriver
- Flash BIOS update (see the Dell support website at support.dell.com)

Preparing to Work Inside Your Computer

Use the following safety guidelines to help protect your computer from potential damage and to help ensure your own personal safety.



CAUTION: Before you begin any of the procedures in this section, follow the safety instructions in the *Product Information Guide*.



CAUTION: To reduce the risk of fire, electric shock, or injury, do not overload an electrical outlet, power strip, or convenience receptacle. The total ampere rating of all products plugged into an electrical outlet, power strip, or other receptacle should not exceed 80 percent of the branch circuit rating.



CAUTION: Your computer is heavy and can be difficult to maneuver. Seek assistance before attempting to lift, move, or tilt the computer and always lift correctly to avoid injury; avoid bending over while lifting.



NOTICE: Only a certified service technician should perform repairs on your computer. Damage due to servicing that is not authorized by Dell is not covered by your warranty.



NOTICE: To avoid electrostatic discharge and damage to internal components, ground yourself by using a wrist grounding strap or by periodically touching an unpainted metal surface on the computer chassis.



NOTICE: Handle components and cards with care. Do not touch the components or contacts on a card. Instead, hold a card by its edges or by its metal mounting bracket. Hold a component such as a microprocessor by its edges, not by its pins.



NOTICE: When disconnecting a cable, pull on the cable's connector or its strain-relief loop, not on the cable itself. Some cables have connectors with locking tabs; before disconnecting this type of cable, press inward on the locking tabs to release the connector. When connecting or disconnecting a cable, ensure that the connectors are correctly oriented and aligned to avoid damage to the connector and/or the connector's pins.


1. Ensure that the work surface is level and protected to prevent either the surface or the computer from being scratched.




NOTICE: To avoid losing data, save any work in progress and exit all open programs before turning off your computer.

2. Turn off the computer and all attached devices:
 - a. Click **Start**, then click **Turn Off Computer**.
 - b. In the **Turn off computer** window, click **Turn off**.

The computer performs a shutdown of the operating system, and then turns off.

 **NOTE:** Ensure that the computer is off and not in a power management mode. If you cannot shut down the computer using the operating system, press and hold the power button for 4 seconds.

3. Disconnect the computer and all attached devices from their electrical outlets.





 **NOTICE:** When disconnecting a network cable, first unplug the cable from your computer and then unplug it from the network port or device.

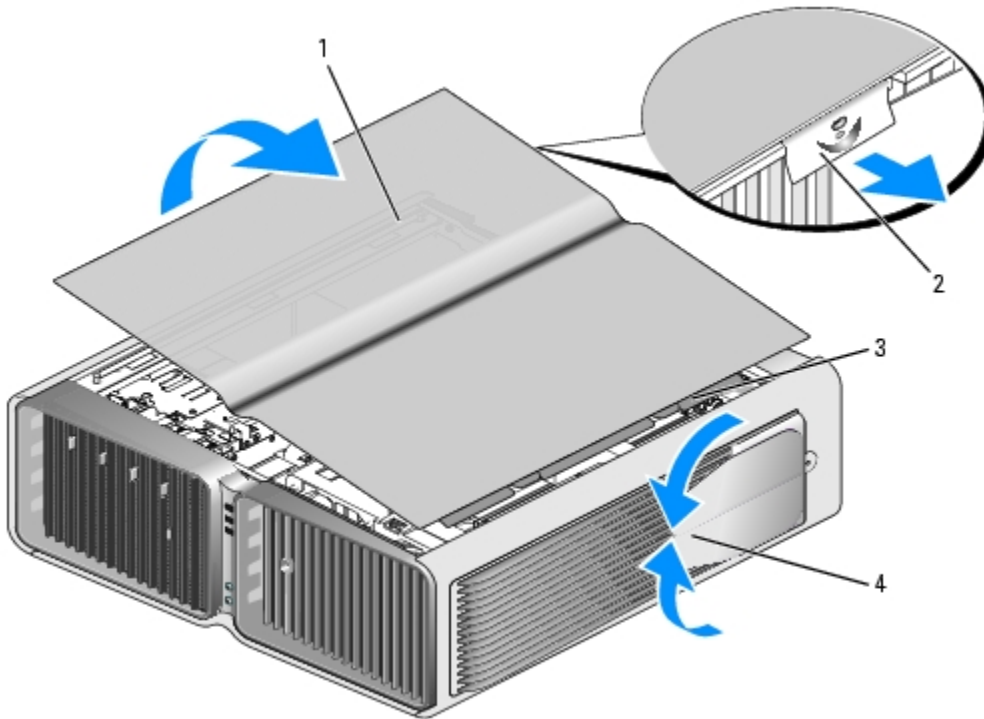
4. Disconnect all external cables from the computer.
5. Carefully, lift the rear of the computer and rotate the stabilizing feet into the closed position.
6. With the help of an assistant, carefully lay the computer down on a flat surface with the computer cover facing up.

[Back to Contents Page](#)

Removing the Computer Cover

Dell™ XPS™ 700 Service Manual

-  **CAUTION:** Before you begin any of the procedures in this section, follow the safety instructions in the *Product Information Guide*.
 -  **CAUTION:** To guard against electrical shock, always unplug your computer from the electrical outlet before removing the cover.
 -  **NOTICE:** To avoid electrostatic discharge and damage to internal components, ground yourself by using a wrist grounding strap or by periodically touching an unpainted metal surface on the computer chassis.
1. Follow the procedures in [Before You Begin](#).
 2. Pull back on the cover release latch.
-  **NOTICE:** Ensure that sufficient space exists to support the removed cover—at least 30 cm (1 ft) of desk top space.



1	computer cover	2	cover release latch	3	cover hinge tabs
4	stabilizing feet (closed)				

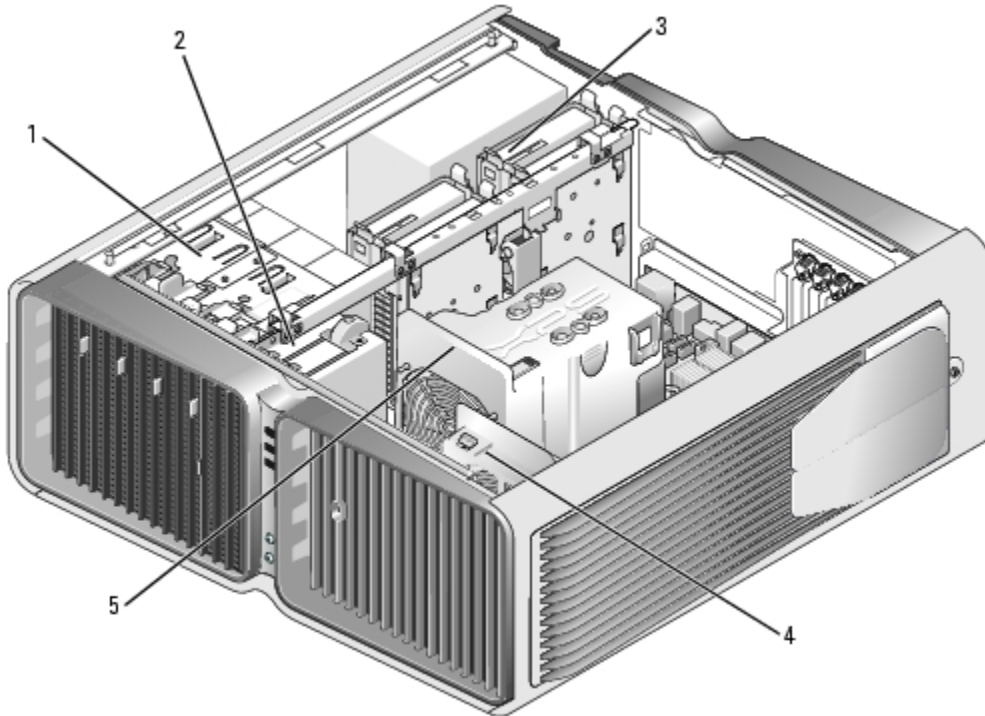
3. With the cover release latch pulled back, grip the sides of the cover, then pivot the top of the cover up and away from the computer.
4. Slide the cover forward and up to remove it from the hinge slots, then set it aside in a secure and protected location.

Technical Overview

Dell™ XPS™ 700 Service Manual

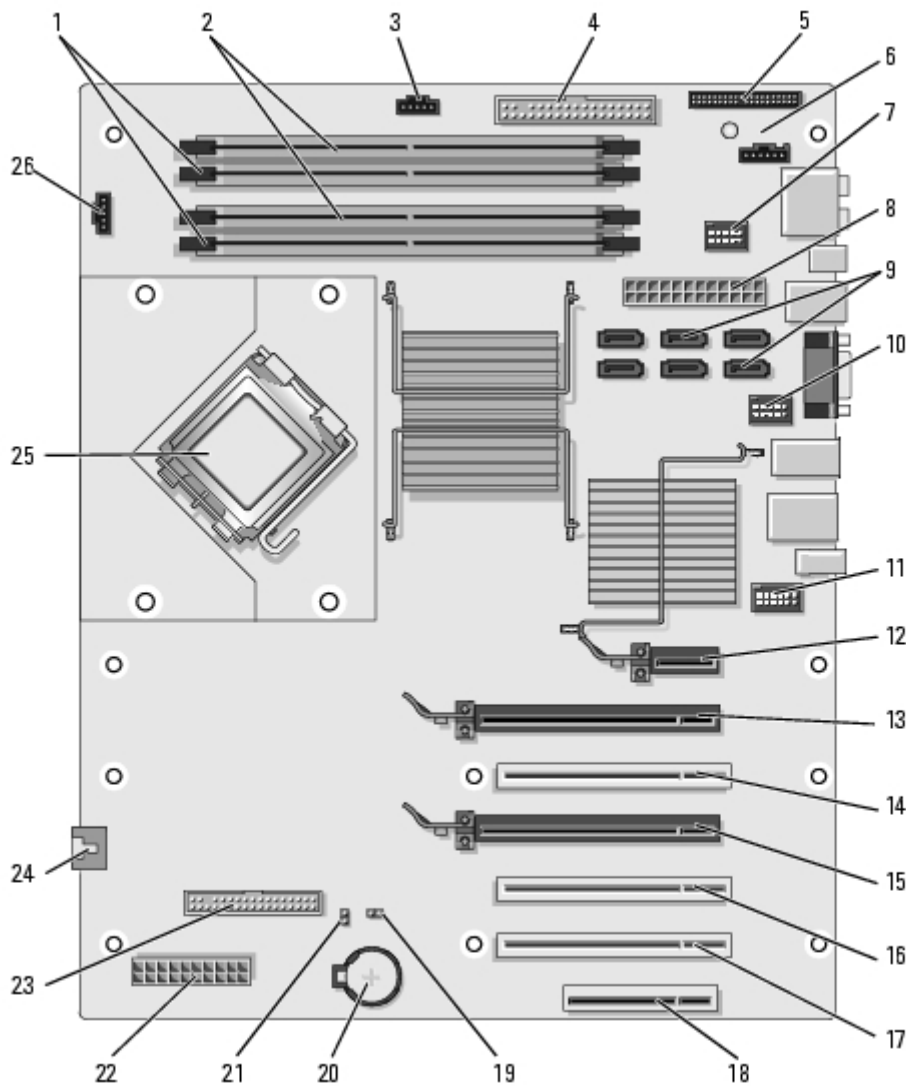
- [Inside View of Your Computer](#)
- [System Board Components](#)
- [Power Supply \(PSU\) DC Connector Pin Assignments](#)

Inside View of Your Computer



1	CD/DVD drive bays (4)	2	floppy drive/media card reader	3	hard-drive bays (4)
4	card fan	5	front fan		

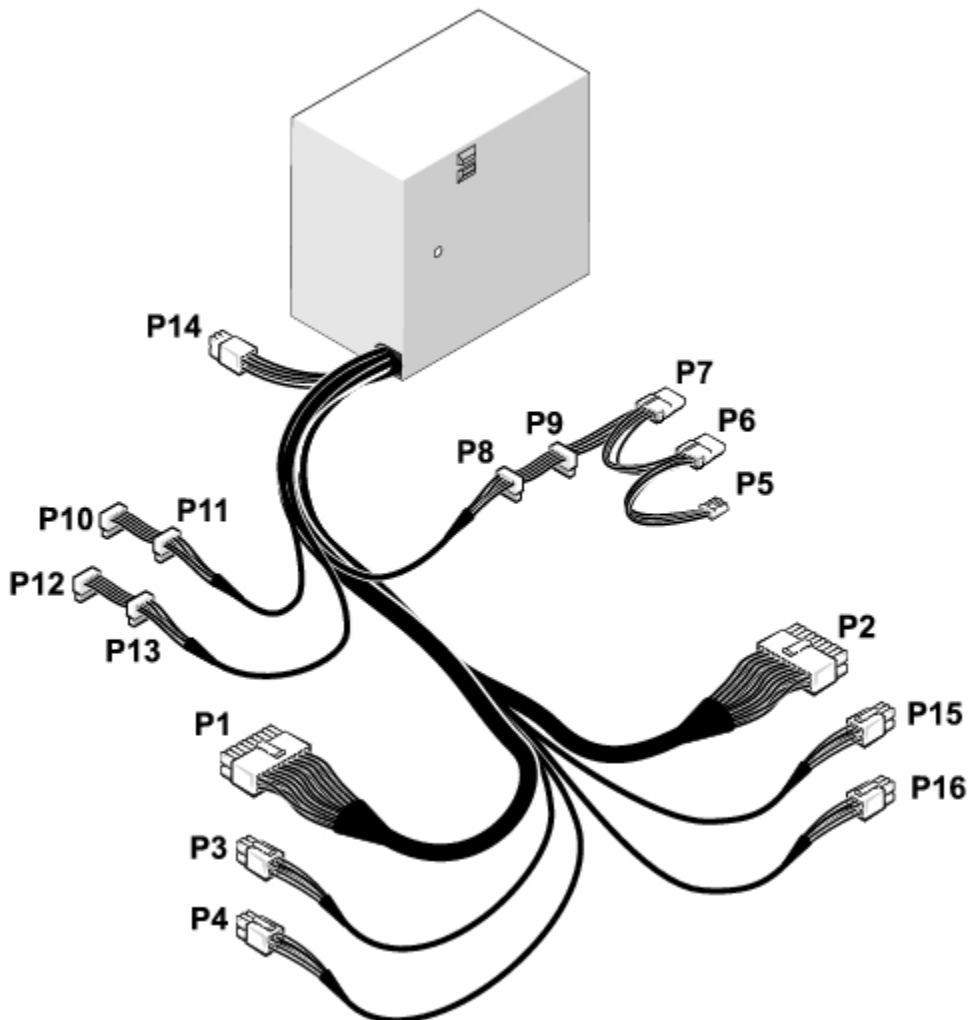
System Board Components



1	<i>white</i> memory module connectors (DIMM_1-2) support memory modules or memory module risers	14	PCI card slot (SLOT3) NOTE: This slot is not available in the dual-graphics configuration
2	<i>black</i> memory module connectors (DIMM_3-4) support memory modules only when no memory riser cards are installed; otherwise these must be left empty	15	PCI-Express x16 card slot (SLOT4)
3	hard-drive fan connector (FAN_HDD)	16	PCI card slot (SLOT5)
4	IDE drive connector (IDE)	17	PCI card slot (SLOT6)
5	front I/O panel connector (FRONTPANEL)	18	PCI-Express x8 card slot (SLOT7)
6	back LED connector	19	RTC reset jumper (RTCST)
7	FlexBay connector (INT_USB)	20	battery socket (BATTERY)
8	main power connector (POWER1)	21	password jumper (PASSWORD)

9	SATA connectors (SATA0-5)	22	power connector (POWER2)
10	front USB connector (FRNT_USB)	23	floppy drive (DSKT)
11	front panel 1394 connector (FP1394)	24	card cage fan connector (FAN_CAGE)
12	PCI-Express x1 card slot (SLOT1) NOTE: This slot is not available in the dual-graphics configuration	25	primary processor (CPU)
13	PCI-Express x16 card slot (SLOT2)	26	processor fan connector (FAN1_CPU)

Power Supply (PSU) DC Connector Pin Assignments



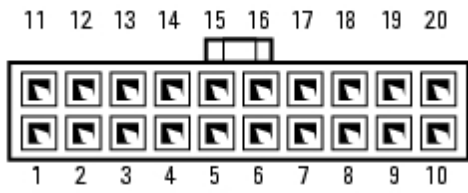
DC Power Connector P1

13 14 15 16 17 18 19 20 21 22 23 24



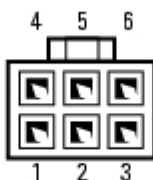
Pin Number	1-KW Power Supply		750-KW Power Supply	
	Signal name	18-AWG Wire Color	Signal name	18-AWG Wire Color
1	+3.3 VDC	Orange	+3.3 VDC	Orange
2	+3.3 VDC/SE	Orange	+3.3 VDC/SE	Orange
3	COM	Black	COM	Black
4	+5 VDC	Red	+5 VDC	Red
5	COM	Black	COM	Black
6	+5 VDC	Red	+5 VDC	Red
7	COM	Black	COM	Black
8	POK	Gray	POK	Gray
9	+5 VFP	Purple	+5 VFP	Purple
10	+12 VD DC/SE	Yellow/White	+12 VD DC/SE	Yellow/White
11	+12 VD DC	Yellow/White	+12 VD DC	Yellow/White
12	+3.3 VDC	Orange	+3.3 VDC	Orange
13	+3.3 VDC	Orange	+3.3 VDC	Orange
14	-12 VDC	Blue	-12 VDC	Blue
15	COM	Black	COM	Black
16	PS_ON	Green	PS_ON	Green
17	COM	Black	COM	Black
18	COM	Black	COM	Black
19	COM	Black	COM	Black
20	N/C	N/A	N/C	N/A
21	+5 VDC/SE	Red	+5 VDC/SE	Red
22	+5 VDC	Red	+5 VDC	Red
23	+5 VDC	Red	+5 VDC	Red
24	COM	Black	COM	Black

DC Power Connector P2



	1-KW Power Supply		750-KW Power Supply	
Pin Number	Signal name	18-AWG Wire Color	Signal name	18-AWG Wire Color
1	+12 VC DC	Blue/White	+12 VC DC	Blue/White
2	+12 VC DC	Blue/White	+12 VC DC	Blue/White
3	COM	Black	COM	Black
4	COM	Black	COM	Black
5	+12 VA DC/SE	Yellow	+12 VA DC/SE	Yellow
6	+12 VA DC	Yellow	+12 VA DC	Yellow
7	COM	Black	COM	Black
8	COM	Black	COM	Black
9	+12 VB DC/SE	White	+12 VB DC/SE	White
10	+12 VB DC	White	+12 VB DC	White
11	+12 VC DC/SE	Blue/White	+12 VC DC/SE	Blue/White
12	COM	Black	COM	Black
13	COM	Black	COM	Black
14	COM	Black	COM	Black
15	+12 VA DC	Yellow	+12 VA DC	Yellow
16	COM	Black	COM	Black
17	COM	Black	COM	Black
18	COM	Black	COM	Black
19	+12 VB DC	White	+12 VB DC	White
20	NC	N/A	NC	N/A

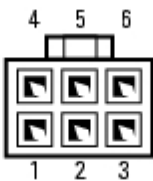
DC Power Connector P3 (Graphics Card)




	1-KW Power Supply	750-KW Power Supply
--	-------------------	---------------------

Pin Number	Signal name	18-AWG Wire Color	Signal name	18-AWG Wire Color
1	+12 VE DC/SE	Blue/Yellow	+12 VB DC	White
2	+12 VE DC	Blue/Yellow	+12 VB DC	White
3	+12 VE DC	Blue/Yellow	+12 VB DC	White
4	COM	Black	COM	Black
5	COM	Black	COM	Black
6	COM	Black	COM	Black

DC Power Connector P4 (Graphics Card)



	1-KW Power Supply		750-KW Power Supply	
Pin Number	Signal name	18-AWG Wire Color	Signal name	18-AWG Wire Color
1	+12 VE DC	Blue/Yellow	+12 VC DC	Blue/White
2	+12 VE DC	Blue/Yellow	+12 VC DC	Blue/White
3	+12 VE DC	Blue/Yellow	+12 VC DC	Blue/White
4	COM	Black	COM	Black
5	COM	Black	COM	Black
6	COM	Black	COM	Black

 **NOTE:** The P3 and P4 connectors are intended for use with the PCI Express graphics cards whose power requirements exceed 75 watts.

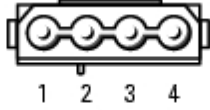
DC Power Connector P5 (FD1)



	1-KW Power Supply		750-KW Power Supply	
Pin Number	Signal name	22-AWG Wire Color	Signal name	22-AWG Wire Color
1	+5 VDC	Red	+5 VDC	Red

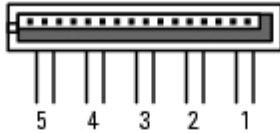
2	COM	Black	COM	Black
3	COM	Black	COM	Black
4	+12 VE DC	Blue/Yellow	+12 VB DC	White

DC Power Connector P6 and P7 (BAY1 and Bay2)



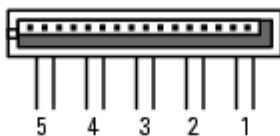
	1-KW Power Supply		750-KW Power Supply	
Pin Number	Signal name	18-AWG Wire Color	Signal name	18-AWG Wire Color
1	+12 VE DC	Blue/Yellow	+12 VB DC	White
2	COM	Black	COM	Black
3	COM	Black	COM	Black
4	+5 VDC	Red	+5 VDC	Red

DC Power Connectors P8 and P9 (HDD0 and HDD1)



	1-KW Power Supply		750-KW Power Supply	
Pin Number	Signal name	18-AWG Wire Color	Signal name	18-AWG Wire Color
1	+3.3 VDC	Orange	+3.3 VDC	Orange
2	COM	Black	COM	Black
3	+5 VDC	Red	+5 VDC	Red
4	COM	Black	COM	Black
5	+12 VE DC	Blue/Yellow	+12 VB DC	White

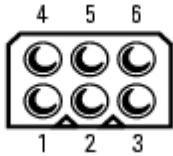
DC Power Connectors P10-P13 (HDD2 and HDD5)



--	--	--	--	--

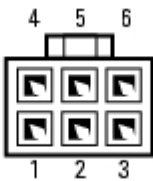
	1-KW Power Supply		750-KW Power Supply	
Pin Number	Signal name	18-AWG Wire Color	Signal name	18-AWG Wire Color
1	+3.3 VDC	Orange	+3.3 VDC	Orange
2	COM	Black	COM	Black
3	+5 VDC	Red	+5 VDC	Red
4	COM	Black	COM	Black
5	+12 VE DC	Blue/Yellow	+12 VC DC	Blue/White

DC Power Connectors P14 (Peripheral)



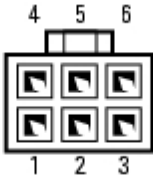
	1-KW Power Supply		750-KW Power Supply	
Pin Number	Signal name	18-AWG Wire Color	Signal name	18-AWG Wire Color
1	+12 VB DC	White	+12 VA DC	Yellow
2	COM	Black	COM	Black
3	COM	Black	COM	Black
4	+3.3 VDC	Orange	+3.3 VDC	Orange
5	+5 VDC	Red	+5 VDC	Red
6	+12 VC DC	Blue/White	+12 VD DC	Yellow/White

DC Power Connector P15 (Graphics Card – 1-KW PSU Only)



Pin Number	Signal Name	18-AWG Wire Color
1	+12 VB DC	White
2	+12 VB DC	White
3	+12 VB DC	White
4	COM	Black
5	COM	Black

DC Power Connector P16 (Graphics Card – 1-KW PSU Only)



Pin Number	Signal Name	18-AWG Wire Color
1	+12 VC DC	Blue/White
2	+12 VC DC	Blue/White
3	+12 VC DC	Blue/White
4	COM	Black
5	COM	Black
6	COM	Black



NOTE: The P15 and P16 connectors are intended for use with the PCI Express graphics cards whose power requirements exceed 75 watts.

[Back to Contents Page](#)

Removing and Installing Parts

Dell™ XPS™ 700 Service Manual

- [Before You Begin](#)
 - [Removing the Computer Cover](#)
 - [Memory](#)
 - [Cards](#)
 - [Drives](#)
 - [Hard Drive](#)
 - [Drive Panel](#)
 - [Floppy Drive](#)
 - [Media Card Reader](#)
 - [CD/DVD Drive](#)
 - [Processor Airflow Shroud](#)
 - [Processor](#)
 - [Battery](#)
 - [Removing the Computer Stand](#)
 - [Replacing the Computer Cover](#)
-

Before You Begin

This chapter provides procedures for removing and installing the components in your computer. Unless otherwise noted, each procedure assumes that a component can be replaced by performing the removal procedure in reverse order.

Recommended Tools

The procedures in this document may require one or more of the following tools:

- Small flat-blade screwdriver
- Phillips screwdriver
- Flash BIOS update (see the Dell support website at support.dell.com)

Preparing to Work Inside Your Computer

Use the following safety guidelines to help protect your computer from potential damage and to help ensure your own personal safety.







CAUTION: Before you begin any of the procedures in this section, follow the safety instructions in the *Product Information Guide*.




CAUTION: To reduce the risk of fire, electric shock, or injury, do not overload an electrical outlet, power strip, or convenience receptacle. The total ampere rating of all products plugged into an electrical outlet, power strip, or other receptacle should not exceed 80 percent of the branch circuit rating.



CAUTION: Your computer is heavy and can be difficult to maneuver. Seek assistance before attempting to lift, move, or tilt the computer and always lift correctly to avoid injury; avoid bending over while lifting.

-  **NOTICE:** Only a certified service technician should perform repairs on your computer. Damage due to servicing that is not authorized by Dell is not covered by your warranty.
-  **NOTICE:** To avoid electrostatic discharge and damage to internal components, ground yourself by using a wrist grounding strap or by periodically touching an unpainted metal surface on the computer chassis.
-  **NOTICE:** Handle components and cards with care. Do not touch the components or contacts on a card. Instead, hold a card by its edges or by its metal mounting bracket. Hold a component such as a microprocessor by its edges, not by its pins.
-  **NOTICE:** When disconnecting a cable, pull on the cable's connector or its strain-relief loop, not on the cable itself. Some cables have connectors with locking tabs; before disconnecting this type of cable, press inward on the locking tabs to release the connector. When connecting or disconnecting a cable, ensure that the connectors are correctly oriented and aligned to avoid damage to the connector and/or the connector's pins.


1. Ensure that the work surface is level and protected to prevent either the surface or the computer from being scratched.

-  **NOTICE:** To avoid losing data, save any work in progress and exit all open programs before turning off your computer.


2. Turn off the computer and all attached devices:

- a. Click **Start**, then click **Turn Off Computer**.
- b. In the **Turn off computer** window, click **Turn off**.

The computer performs a shutdown of the operating system, and then turns off.

-  **NOTE:** Ensure that the computer is off and not in a power management mode. If you cannot shut down the computer using the operating system, press and hold the power button for 4 seconds.

3. Disconnect the computer and all attached devices from their electrical outlets.




-  **NOTICE:** When disconnecting a network cable, first unplug the cable from your computer and then unplug it from the network port or device.

4. Disconnect all external cables from the computer.

5. Carefully, lift the rear of the computer and rotate the stabilizing feet into the closed position.

6. With the help of an assistant, carefully lay the computer down on a flat surface with the computer cover facing up.

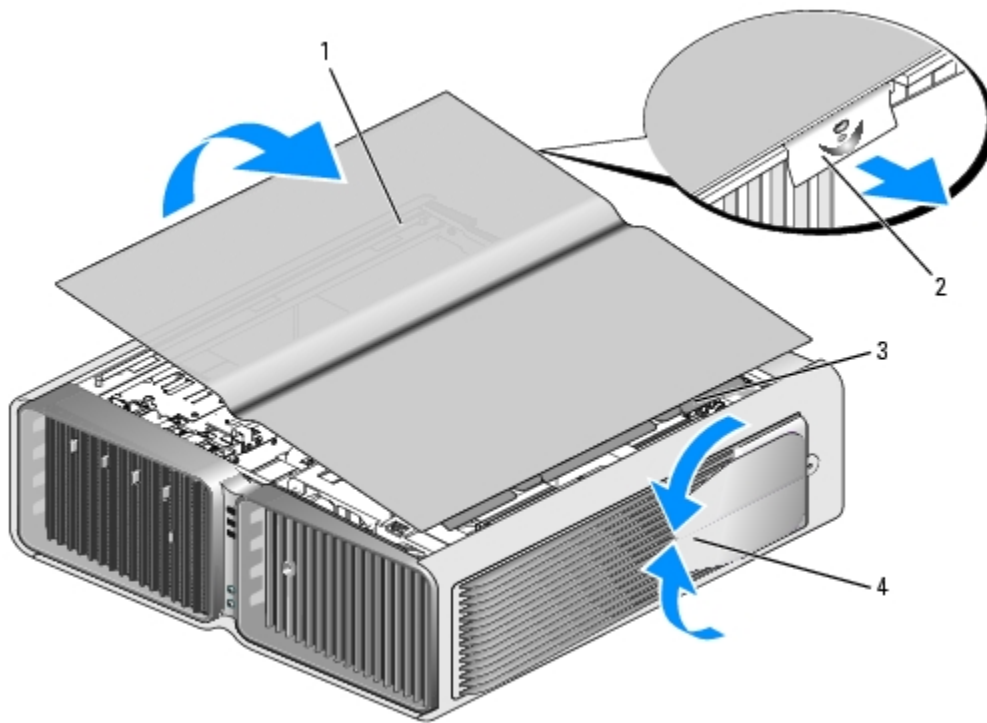
Removing the Computer Cover

-  **CAUTION:** Before you begin any of the procedures in this section, follow the safety instructions in the *Product Information Guide*.
-  **CAUTION:** To guard against electrical shock, always unplug your computer from the electrical outlet before removing the cover.
-  **NOTICE:** To avoid electrostatic discharge and damage to internal components, ground yourself by using a wrist grounding strap or by periodically touching an unpainted metal surface on the computer chassis.

1. Follow the procedures in [Before You Begin](#).

2. Pull back on the cover release latch.

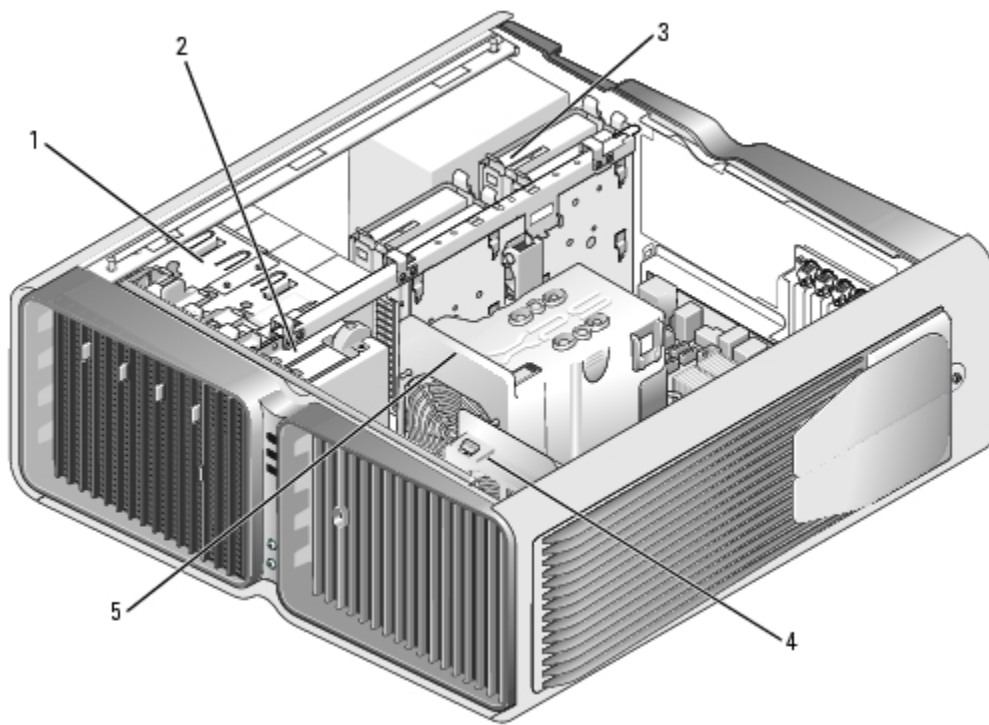
NOTICE: Ensure that sufficient space exists to support the removed cover—at least 30 cm (1 ft) of desk top space.



1	computer cover	2	cover release latch	3	cover hinge tabs
4	stabilizing feet (closed)				

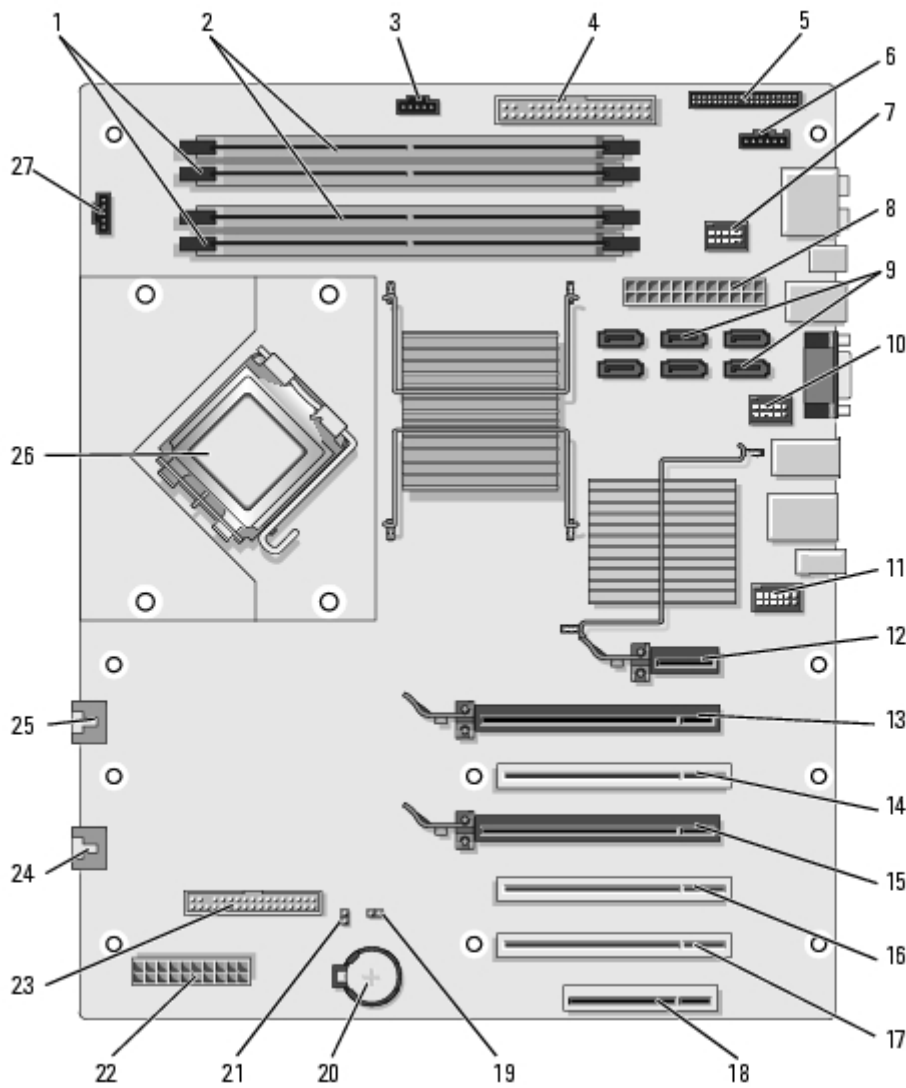
3. With the cover release latch pulled back, grip the sides of the cover, then pivot the top of the cover up and away from the computer.
4. Slide the cover forward and up to remove it from the hinge slots, then set it aside in a secure and protected location.

Inside View of Your Computer



1	CD/DVD drive bays (4)	2	floppy drive/media card reader	3	hard drive bays (4)
4	card fan	5	front fan		

System Board Components



1	<i>white</i> memory module connectors (DIMM_1-2)	2	<i>black</i> memory module connectors (DIMM_3-4)	3	hard drive fan connector (FAN_HDD)
4	IDE drive connector (IDE)	5	front I/O panel connector (FRONTPANEL)	6	back LED connector
7	FlexBay connector (INT_USB)	8	main power connector (POWER1)	9	SATA connectors (SATA0-5)
10	front USB connector (FRNT_USB)	11	front panel 1394 connector (FP1394)	12	PCI-Express x1 card slot (SLOT1) NOTE: This slot is not available in the dual-graphics configuration
13	PCI-Express x16 card slot (SLOT2)	14	PCI card slot (SLOT3)	15	PCI-Express x16 card slot

			NOTE: This slot is not available in the dual-graphics configuration	(SLOT4)
16	PCI card slot (SLOT5)	17	PCI card slot (SLOT6)	18 PCI-Express x8 card slot (SLOT7)
19	RTC reset jumper (RTC_RST)	20	battery socket (BATTERY)	21 password jumper (PASSWORD)
22	power connector (POWER2)	23	floppy drive (DSKT)	24 card cage fan connector (FAN_CAGE)
25	processor fan connector (FAN2_CPU) NOTICE: The FAN2_CPU connector is not currently used on this system and is reserved for future use. Do not attach the primary CPU fan to the FAN2_CPU connector.	26	primary processor (CPU)	27 processor fan connector (FAN1_CPU)

Memory

You can increase your computer memory by installing memory modules on the system board.

Your computer supports DDR2 memory. For additional information on the type of memory supported by your computer, see Memory.

DDR2 Memory Overview

- DDR2 memory modules should be installed in *pairs of matched memory size and speed*. If the DDR2 memory modules are not installed in matched pairs, the computer will continue to operate, but with a slight reduction in performance. See the label on the upper-right or upper-left corner of the module to determine the module's capacity.



NOTE: Always install DDR2 memory modules in the order indicated on the system board.

The recommended memory configurations are:

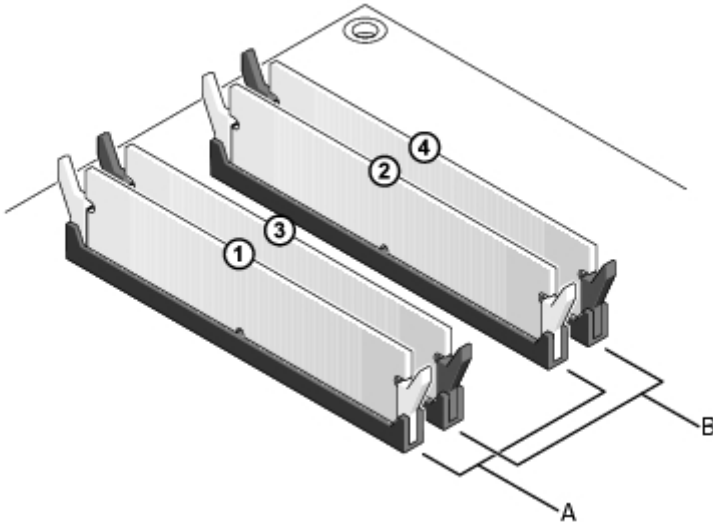
- A pair of matched memory modules installed in DIMM connectors 1 and 2

or

- A pair of matched memory modules installed in DIMM connectors 1 and 2 and another matched pair installed in DIMM connectors 3 and 4

➡ **NOTICE:** Do not install ECC memory modules.

- If you install mixed pairs of PC2-4300 (DDR2 533-MHz) and PC2-5300 (DDR2 667-MHz) memory, the modules function at the speed of the slowest module installed.
- Be sure to install a single memory module in DIMM connector 1, the connector closest to the processor, before you install modules in any other connector.



A	matched pair of modules in DIMM connectors 1 and 2 (white securing clips)	B	matched pair of memory modules in DIMM connectors 3 and 4 (black securing clips)
---	---	---	--

➡ **NOTICE:** If you remove your original memory modules from the computer during a memory upgrade, keep them separate from any new modules that you may have, even if you purchased the new modules from Dell. If possible, do not pair an original memory module with a new memory module. Otherwise, your computer may not start properly. You should install your original memory modules in pairs either in DIMM connectors 1 and 2 or DIMM connectors 3 and 4.

🔧 **NOTE:** Memory purchased from Dell is covered under your computer warranty.

Addressing Memory Configurations

If you are using a 32-bit operating system such as Microsoft® Windows® XP, your computer will support a maximum of 4 GB of memory. If you are using a 64-bit operating system, your computer will support a maximum of 8 GB (2-GB DIMMs in each of the four slots) of memory.

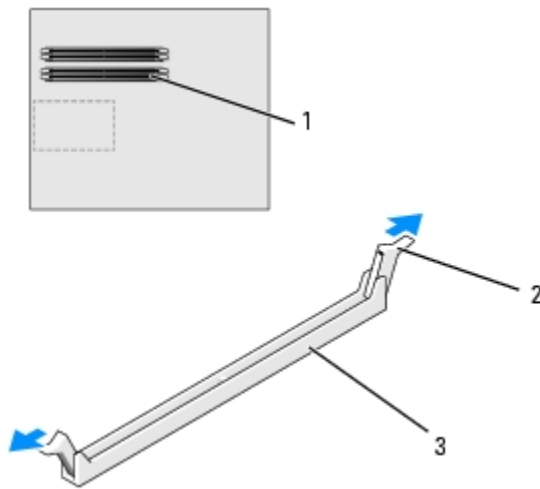
Installing Memory

⚠ **CAUTION:** Before you begin any of the procedures in this section, follow the safety instructions in the *Product Information Guide*.

➡ **NOTICE:** To avoid electrostatic discharge and damage to internal components, ground yourself by using a wrist grounding strap or by periodically touching an unpainted metal surface on the computer chassis.

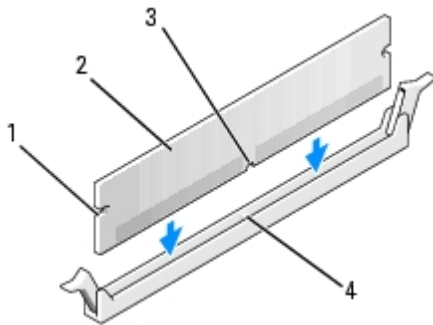
1. Follow the procedures in [Before You Begin](#).
2. Remove the computer cover (see [Removing the Computer Cover](#)).

3. Press out the securing clip at each end of the memory module connector.



1	memory connector closest to processor	2	securing clips (2)	3	memory connector
---	---------------------------------------	---	--------------------	---	------------------

4. Align the notch on the bottom of the module with the crossbar in the connector.

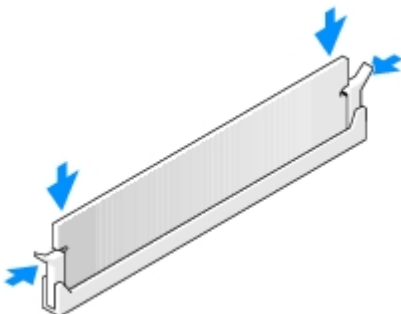


1	cutouts (2)	2	memory module	3	notch
4	crossbar				


NOTICE: To avoid damage to the memory module, press the module straight down into the connector while you apply equal force to each end of the module.

5. Insert the module into the connector until the module snaps into position.

If you insert the module correctly, the securing clips snap into the cutouts at each end of the module.




6. Replace the computer cover (see [Replacing the Computer Cover](#)).

 **NOTICE:** To connect a network cable, first plug the cable into the network port or device and then plug it into the computer.

7. Connect your computer and devices to electrical outlets, and turn them on.
8. When the message appears stating that memory size has changed, press <F1> to continue.
9. Log on to your computer.
10. Right-click the **My Computer** icon on your Windows desktop and click **Properties**.
11. Click the **General** tab.
12. To verify that the memory is installed correctly, check the amount of memory (RAM) listed.

Removing Memory

 **CAUTION:** Before you begin any of the procedures in this section, follow the safety instructions in the *Product Information Guide*.

 **NOTICE:** To avoid electrostatic discharge and damage to internal components, ground yourself by using a wrist grounding strap or by periodically touching an unpainted metal surface on the computer chassis.

1. Follow the procedures in [Before You Begin](#).
2. Press out the securing clip at each end of the memory module connector.
3. Grasp the module and pull up.


If the module is difficult to remove, gently ease the module back and forth to remove it from the connector.

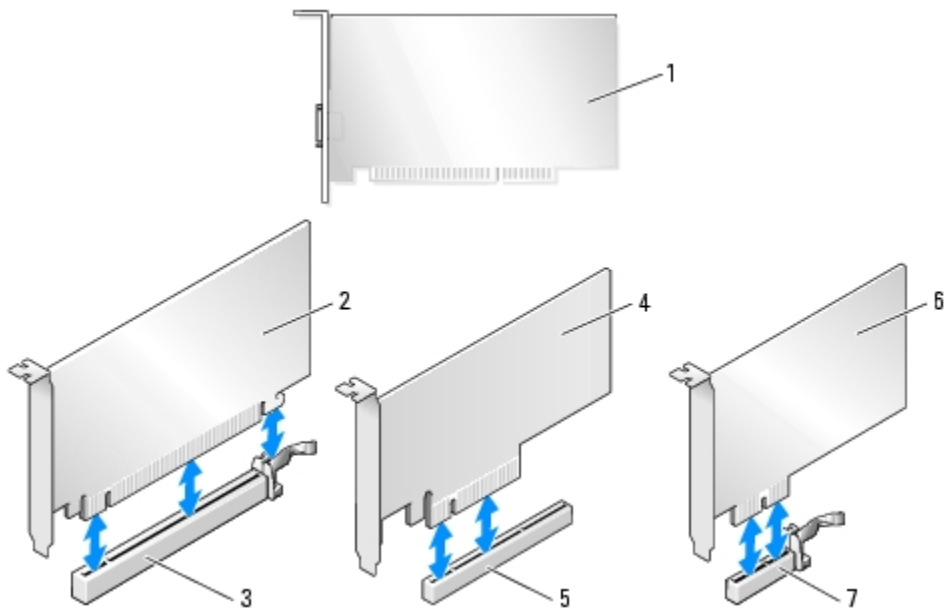
Cards

 **CAUTION:** Before you begin any of the procedures in this section, follow the safety instructions in the *Product Information Guide*.

Your Dell™ computer provides the following slots for PCI and PCI Express cards:

- Three PCI card slots
- Two PCI Express x16 card slots (can be used in a dual-graphics configuration)
- One PCI Express x8 card slot
- One PCI Express x1 card slot

 **NOTE:** If a graphics card is installed in each of the PCI Express x16 card slots in the dual-graphics configuration, the PCI Express x1 and one PCI card slot are not accessible for use.

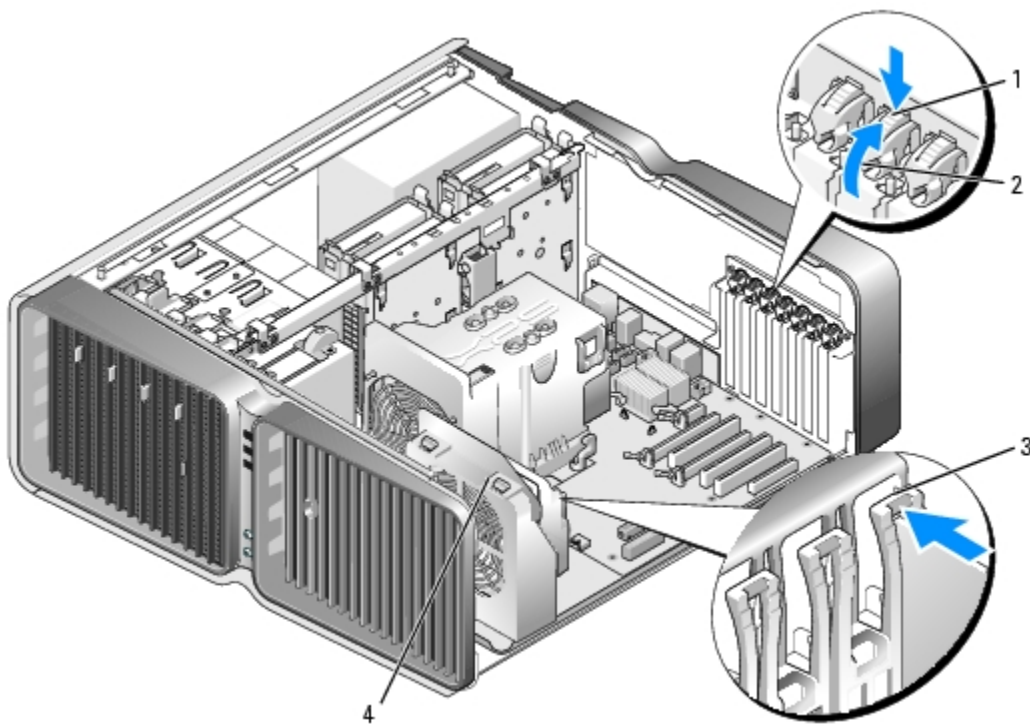


1	PCI card	2	PCI Express x16 card	3	PCI Express x16 card slot
4	PCI Express x8 card	5	PCI Express x8 card slot	6	PCI Express x1 card
7	PCI Express x1 card slot				

Removing PCI and PCI Express Cards

- ➡ **NOTICE:** To avoid electrostatic discharge and damage to internal components, ground yourself by using a wrist grounding strap or by periodically touching an unpainted metal surface on the computer chassis.
- ➡ **NOTICE:** If your computer came with a PCI graphics card installed, removal of the card is not necessary when installing additional graphics cards; however, the card is required for troubleshooting purposes. If you remove the card, store it in a safe and secure location.
- ➡ **NOTICE:** If you have the optional dual graphics card configuration, see [Removing a PCI Express Graphics Card from a Dual Configuration](#) to remove or replace a graphics card.

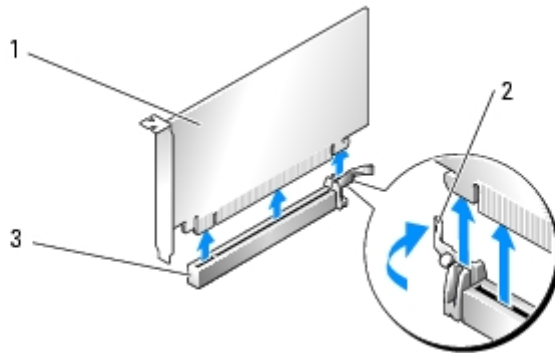
1. Follow the procedures in [Before You Begin](#).
2. Remove the computer cover (see [Removing the Computer Cover](#)).
3. Disconnect any cables connected to the card.
4. Press down the tab on the top of the card retainer at the appropriate card slot and pivot the card retainer back through the chassis wall.
5. If present, press the tab on the card retention device that lays over the installed cards and lift it to gain full access to the card.



1	release tab	2	card retainer	3	alignment guide
4	fan bracket				

6. Press the release tab (if present) on the system board connector as you grasp the card by its top corners, and then ease the card out of the connector.

NOTE: If the card is full-length, press the release tab on the end of the alignment guides on the fan bracket.



1	PCI Express x16 card	2	securing tab	3	PCI Express x16 card slot
---	----------------------	---	--------------	---	---------------------------

7. Install a filler bracket in the empty card-slot opening. If you are replacing the card, see [Installing PCI and PCI Express Cards](#).

NOTE: Installing filler brackets over empty card-slot openings is necessary to maintain FCC certification of the computer. The brackets also keep dust and dirt out of your computer.


NOTICE: Before rotating the card retainer back into place, ensure that the tops of all cards and filler brackets are flush with the alignment bar and the notch in the top of each card or filler bracket fits around the alignment guide.

NOTICE: Do not route card cables over or behind the cards. Cables routed over the cards can prevent the computer cover from closing properly or cause damage to the equipment.

8. Rotate the card retainer back into its original position; push its tip so that its tab clicks into place.

➔ **NOTICE:** To connect a network cable, first plug the cable into the network port or device and then plug the cable into the computer.

9. If present, lower the card retention device that lays over the installed cards and snap it into place.
10. Replace the computer cover (see [Replacing the Computer Cover](#)), reconnect the computer and devices to electrical outlets, and then turn them on.
11. Uninstall the driver for the card that you removed.

 **NOTE:** If you removed a sound card or a network adapter, see [Network Adapter and Sound Card Settings](#).

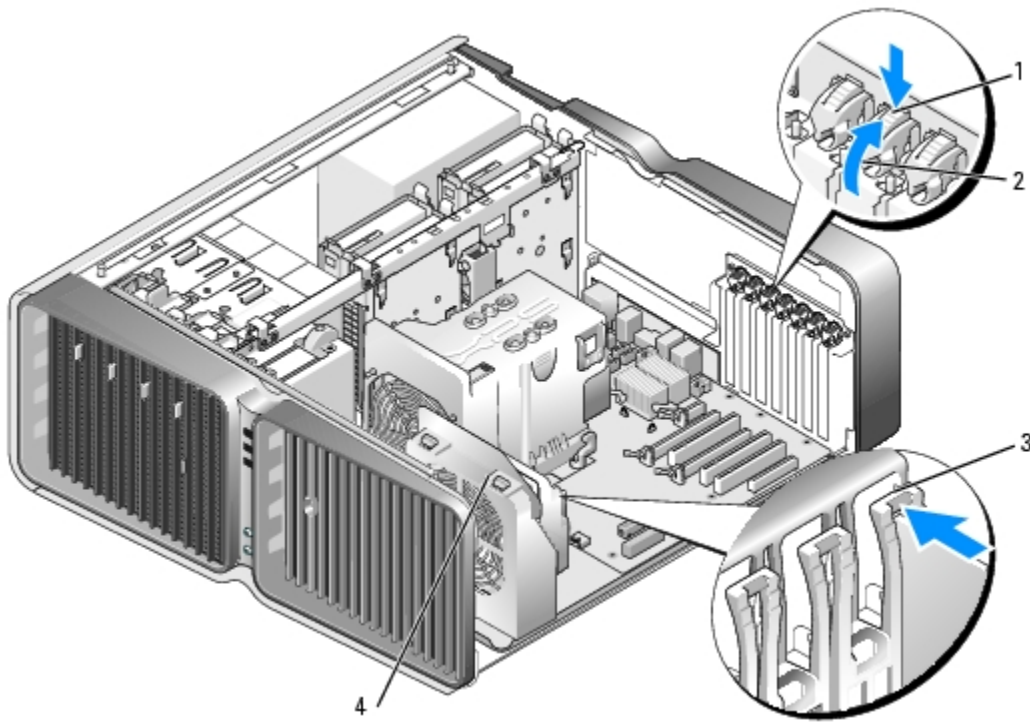
Installing PCI and PCI Express Cards

➔ **NOTICE:** To avoid electrostatic discharge and damage to internal components, ground yourself by using a wrist grounding strap or by periodically touching an unpainted metal surface on the computer chassis.

➔ **NOTICE:** If your computer came with a PCI graphics card installed, removal of the card is not necessary when installing additional graphics cards; however, the card is required for troubleshooting purposes. If you remove the card, store it in a safe and secure location.

➔ **NOTICE:** If you have or are upgrading to the optional dual-graphics configuration, see [Installing a PCI Express Graphics Card in a Dual Configuration](#) to install a graphics card.

1. Follow the procedures in [Before You Begin](#).
2. Remove the computer cover (see [Removing the Computer Cover](#)).
3. If present, press the tab on the card retention device that lays over the installed cards and rotate it upwards to gain full access to the card.
4. Press down the tab on the top of the card retainer at the appropriate card slot and pivot the card retainer back through the chassis wall.



1	release tab	2	card retainer	3	alignment guide
4	fan bracket				

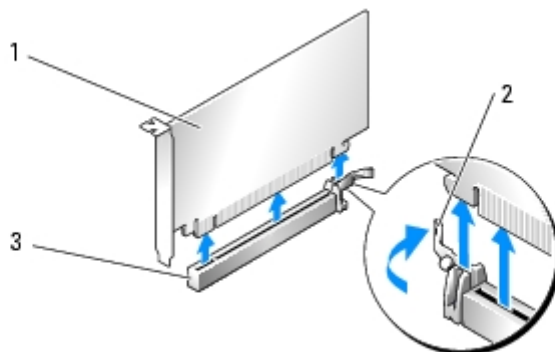
5. Remove the filler bracket or existing card (see [Removing PCI and PCI Express Cards](#)) to create a card-slot opening.

6. Prepare the card for installation.

See the documentation that came with the card for information on configuring the card, making internal connections, or otherwise customizing it for your computer.

7. Position the card so that it is aligned with the slot and the securing tab (if present) is aligned with the securing slot.

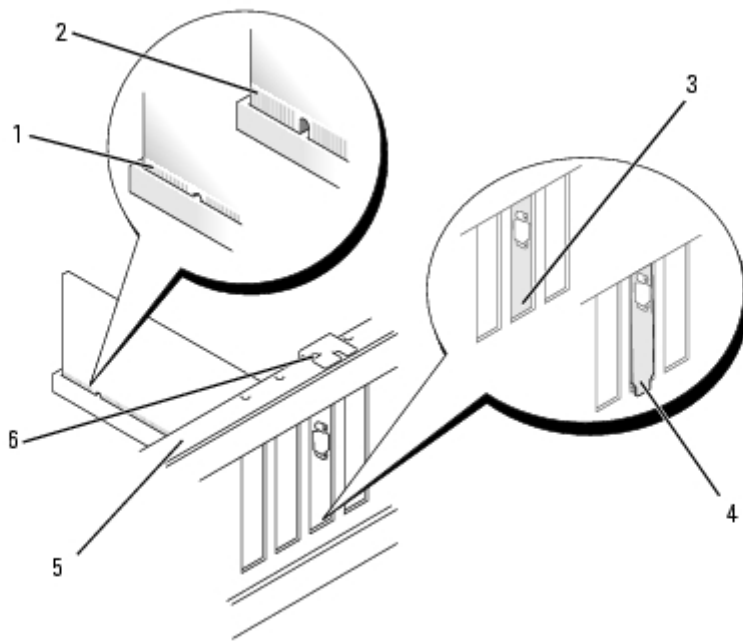
NOTE: If the card is full-length, insert the card guide into the alignment slot on the fan bracket.



1	PCI Express x16 card	2	securing tab	3	PCI Express x16 card slot
---	----------------------	---	--------------	---	---------------------------

NOTICE: Ensure that you release the securing tab to seat the card. If the card is not installed correctly, you may damage the system board.

8. Gently pull the securing tab (if present) and place the card in the connector. Press down firmly and ensure that the card is fully seated in the slot.



1	card connector (seated)	2	card connector (not seated)	3	bracket properly aligned within slot
4	bracket improperly aligned outside of slot	5	alignment bar	6	alignment guide

➡ **NOTICE:** Do not route card cables over or behind the cards. Cables routed over the cards can prevent the computer cover from closing properly or cause damage to the equipment.

➡ **NOTICE:** An incorrectly attached graphics power cable may result in degraded graphics performance.

9. Connect any cables that should be attached to the card.

See the documentation for the card for information about the card's cable connections.

➡ **NOTICE:** Before rotating the card retainer back into place, ensure that the tops of all cards and filler brackets are flush with the alignment bar and the notch in the top of each card or filler bracket fits around the alignment guide.

10. Rotate the card retainer back into its original position; push its tip so that its tab clicks into place.

11. If present, lower the card retention device that lays over the installed cards and snap it into place.

➡ **NOTICE:** To connect a network cable, first plug the cable into the network port or device and then plug the cable into the computer.

12. Replace the computer cover (see [Replacing the Computer Cover](#)), reconnect the computer and devices to electrical outlets, and then turn them on.

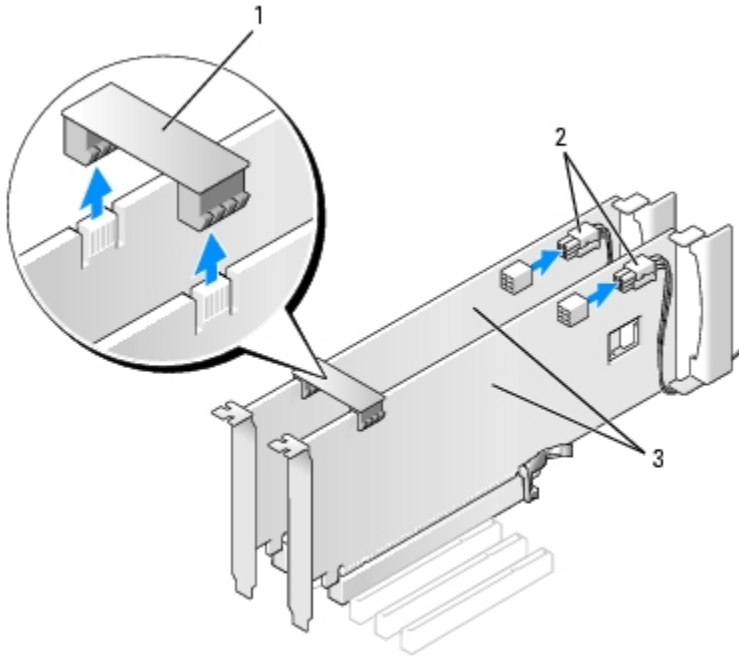
13. Install any drivers required for the card as described in the card documentation.

🔧 **NOTE:** If you installed a sound card or a network adapter, see [Network Adapter and Sound Card Settings](#).

Removing a PCI Express Graphics Card from a Dual Configuration

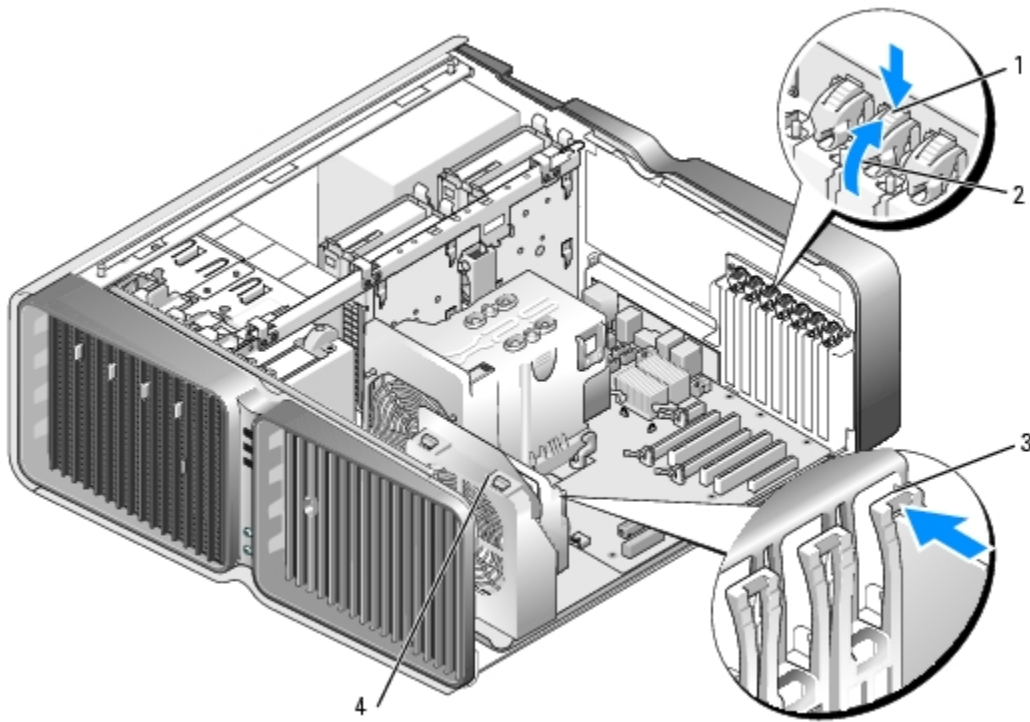
NOTE: This section regards dual configurations of PCI Express x16 graphics cards only. For removal of any other type of PCI or PCI Express cards, see [Removing PCI and PCI Express Cards](#).

1. Follow the procedures in [Before You Begin](#).
2. Remove the computer cover (see [Removing the Computer Cover](#)).
3. If present, press the tab on the card retention device that lays over the installed cards and rotate it upwards to gain full access to the card.
4. Gently securing both graphics cards with one hand, remove the graphics card bridge (if present) with your other hand by pulling it up and away from the computer. Set it aside.



1	graphics card bridge	2	power connectors (2)	3	dual-PCI Express graphics cards
---	----------------------	---	----------------------	---	---------------------------------

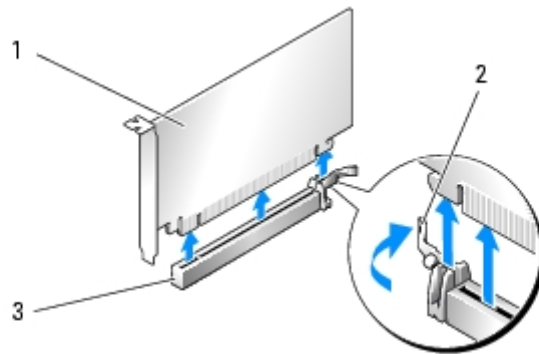
5. Disconnect any cables connected to the card.
6. Press down the tab on the top of the card retainer at the appropriate card slot and pivot the card retainer back through the chassis wall.



1	release tab	2	card retainer	3	alignment guide
4	fan bracket				

7. Press the release tab (if present) on the system board connector as you grasp the card by its top corners, and then ease the card out of the connector.

NOTE: If the card is full-length, press the release tab on the end of the alignment guides on the fan bracket.



1	PCI Express x16 card	2	securing tab	3	PCI Express x16 card slot
---	----------------------	---	--------------	---	---------------------------

8. Install a filler bracket in the empty card-slot opening. If you are replacing the card, see [Installing a PCI Express Graphics Card in a Dual Configuration](#).

NOTE: Installing filler brackets over empty card-slot openings is necessary to maintain FCC certification of the computer. The brackets also keep dust and dirt out of your computer.


NOTE: The graphics card bridge (not present in all dual-graphics configurations) is not necessary in a single graphics card configuration.

NOTICE: Before rotating the card retainer back into place, ensure that the tops of all cards and filler brackets are flush with the alignment bar and the notch in the top of each card or filler bracket fits around the alignment guide.

NOTICE: Do not route card cables over or behind the cards. Cables routed over the cards can prevent the computer

cover from closing properly or cause damage to the equipment.


9. Rotate the card retainer back into its original position; push its tip so that its tab clicks into place.

 **NOTICE:** To connect a network cable, first plug the cable into the network port or device and then plug the cable into the computer.

10. If present, lower the card retention device that lays over the installed cards and snap it into place.


11. Replace the computer cover (see [Replacing the Computer Cover](#)), reconnect the computer and devices to electrical outlets, and then turn them on.

Installing a PCI Express Graphics Card in a Dual Configuration

 **NOTE:** To upgrade to or downgrade from a dual-graphics configuration, you will need additional parts that can be ordered from Dell (see Contacting Dell).

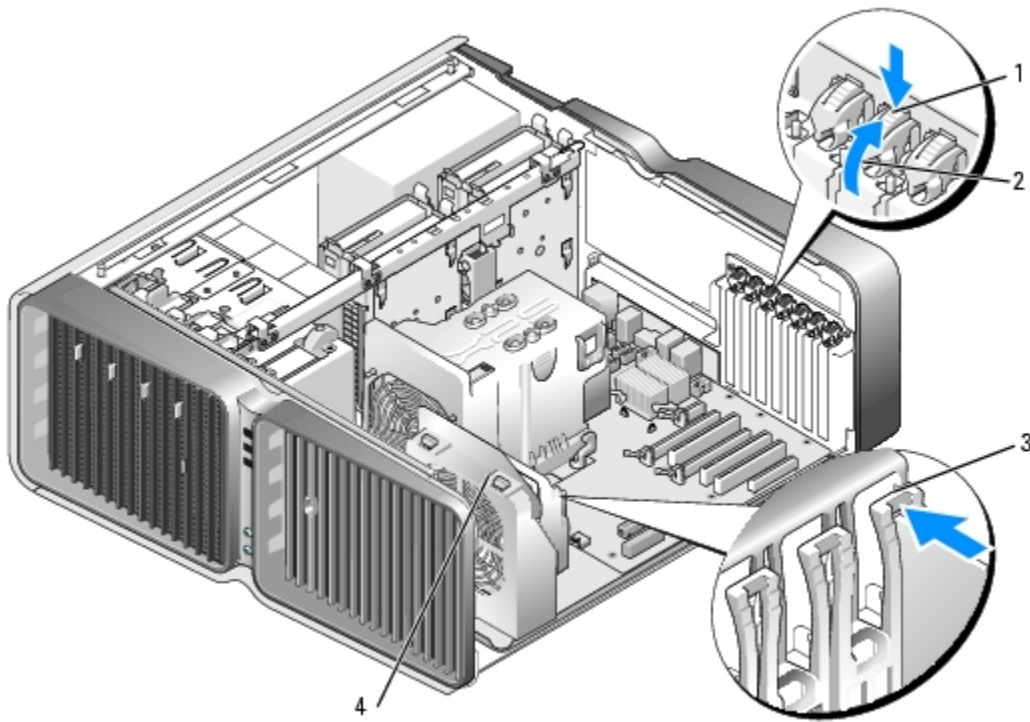
This section pertains to dual PCI Express graphics card configurations only. For installation of other types of PCI or PCI Express cards, see [Installing PCI and PCI Express Cards](#).

The PCI Express x1 card slot is not available for use if a graphics card is installed in each of the PCI Express x16 card slots in a dual graphics card configuration. If you are upgrading from a single graphics card to a dual-graphics card configuration, you will need to remove any card installed in the PCI Express x1 card slot (see [System Board Components](#) to locate the PCI Express x1 card slot). To remove a PCI Express card, see [Removing PCI and PCI Express Cards](#).

 **NOTICE:** For information about upgrading your system to use NVIDIA SLI (Scalable Link Interface) dual-graphics technology, see the Dell website at support.dell.com.

To learn more about NVIDIA SLI (Scalable Link Interface) dual-graphics technology, see "Understanding Dual Graphics Technology" in your *Owner's Manual*.

1. Follow the procedures in [Before You Begin](#).
2. Remove the computer cover (see [Removing the Computer Cover](#)).
3. If present, press the tab on the card retention device that lays over the installed cards and rotate it upwards to gain full access to the card.
4. Press down the tab on the top of the card retainer at the appropriate card slot and pivot the card retainer back through the chassis wall.



1	release tab	2	card retainer	3	alignment guide
4	fan bracket				

5. Remove the filler bracket or existing graphics card (see [Removing a PCI Express Graphics Card from a Dual Configuration](#)) to create a card-slot opening.

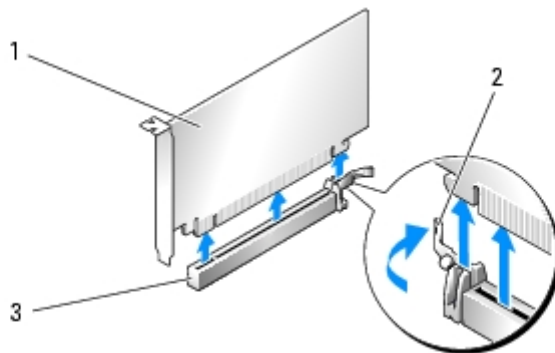
NOTE: If you are upgrading to a dual graphics card configuration and have a card installed in the PCI Express x1 card slot, remove the card (see [Removing PCI and PCI Express Cards](#)).

6. Prepare the card for installation.

See the documentation that came with the card for information on configuring the card, making internal connections, or otherwise customizing it for your computer.

7. Position the card so that it is aligned with the slot and the securing tab (if present) is aligned with the securing slot.

NOTE: If the card is full-length, insert the card guide into the alignment slot on the fan bracket.



1	PCI Express x16 card	2	securing tab	3	PCI Express x16 card slot
---	----------------------	---	--------------	---	---------------------------

NOTICE: Ensure that you release the securing tab to seat the card. If the card is not installed correctly, you may

damage the system board.

8. Gently pull the securing tab (if present) and place the card in the connector. Press down firmly and ensure that the card is fully seated in the slot.

⬇ **NOTICE:** Do not route card cables over or behind the cards. Cables routed over the cards can prevent the computer cover from closing properly or cause damage to the equipment.

⬇ **NOTICE:** An incorrectly attached graphics power cable may result in degraded graphics performance.

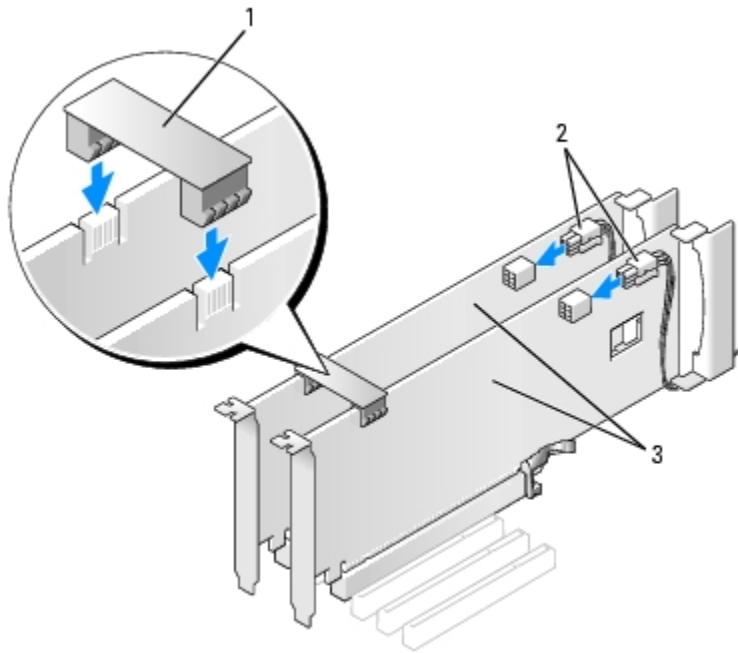
9. Connect any cables that should be attached to the card.

See the documentation for the card for information about the card's cable connections.

⬇ **NOTICE:** Before rotating the card retainer back into place, ensure that the tops of all cards and filler brackets are flush with the alignment bar and the notch in the top of each card or filler bracket fits around the alignment guide.

10. Rotate the card retainer back into its original position; push its tip so that its tab clicks into place.

11. Attach the graphics card bridge (if required for your dual-graphics configuration), pressing firmly so that it completely covers the connector tabs.



1	graphics card bridge (not present on some dual graphics card configurations)	2	power connectors (2)	3	dual-PCI Express graphics cards
---	--	---	----------------------	---	---------------------------------

⬇ **NOTICE:** To connect a network cable, first plug the cable into the network port or device and then plug the cable into the computer.

12. If present, lower the card retention device that lays over the installed cards and snap it into place.

13. Replace the computer cover (see [Replacing the Computer Cover](#)), reconnect the computer and devices to electrical outlets, and then turn them on.

Network Adapter and Sound Card Settings

If you installed a sound card:

1. Enter system setup (see Entering System Setup), select **Integrated Audio Controller**, and then change the setting to **Off**.
2. Connect external audio devices to the sound card connectors. Do not connect external audio devices to the microphone, speaker/headphone, or line-in connectors on the back panel.

If you removed a sound card:

1. Enter system setup (see Entering System Setup), select **Integrated Audio Controller**, and then change the setting to **On**.
2. Connect external audio devices to the audio connectors on the back panel of the computer.

If you installed an add-in network adapter and want to disable the integrated network adapter:

1. Enter system setup (see Entering System Setup), select **Integrated NIC Controller**, and then change the setting to **Off**.
2. Connect the network cable to the add-in network adapter connectors. Do not connect the network cable to the integrated connector on the back panel.

If you removed an add-in network connector:

1. Enter system setup (see Entering System Setup), select **Integrated NIC Controller**, and then change the setting to **On**.
2. Connect the network cable to the integrated connector on the back panel of the computer.

Drives

Your computer supports:

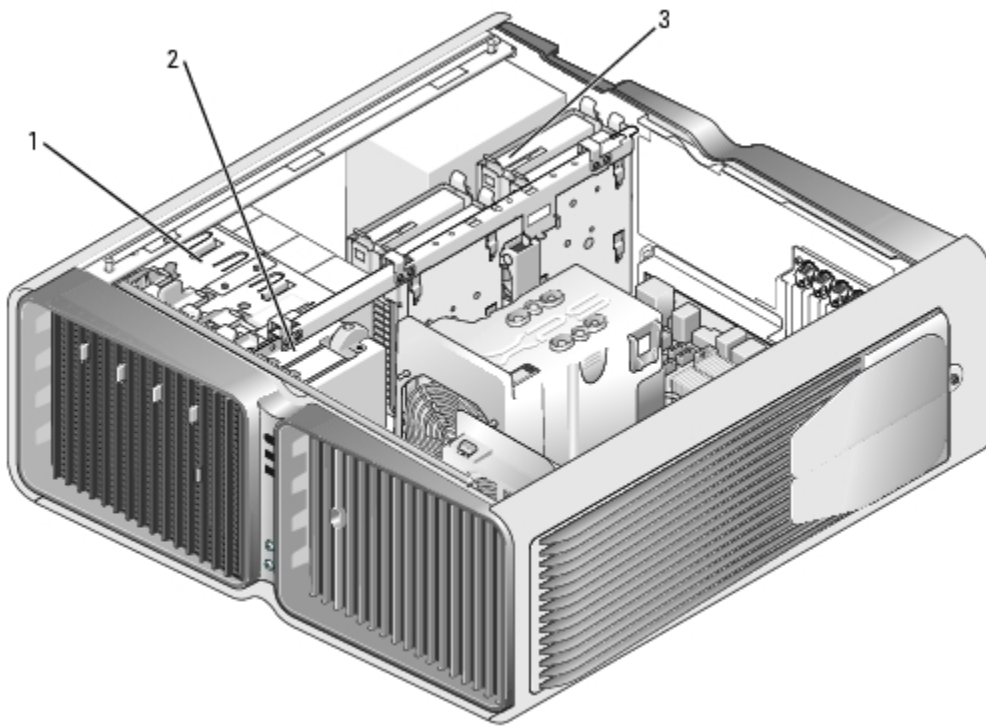
- Six SATA devices (hard drives or optical drives)
- Two IDE devices (two hard drives or two optical drives)
- One floppy drive
- One Media Card Reader



NOTICE: When removing and replacing drives, be sure to leave the drive data and power cables connected to the system board.



NOTE: The 5.25-inch Media Card Reader/floppy drive carrier is not interchangeable with the hard drive carrier.



1	CD/DVD drive bays (4)	2	floppy drive/media card reader	3	hard-drive bays (4)
---	-----------------------	---	--------------------------------	---	---------------------

About Serial ATA Drives

Your computer supports up to four serial ATA hard drives and two serial ATA optical drives. Serial ATA drives provide the following benefits by transferring data using serial technology and flexible cables that are thinner and longer than IDE cables:

- Improved cable routing facilitates more efficient airflow inside the chassis.
- Compact cable connectors save space on the system board and on the hard drive, allowing for more efficient utilization of space inside the chassis.

General Drive Installation Guidelines

SATA hard drives should be connected to connectors labeled "HDD" on the system board. Non-hard drive SATA devices should be attached to the connectors labeled SATA, with the exception of a 5th SATA hard drive installed in a 5.25-inch drive bay, which must be connected to the SATA0 connector. IDE CD/DVD drives should be connected to the connectors labeled "IDE."

When connecting a SATA cable, hold the cable by the connector at each end and press firmly into the connector. When disconnecting a SATA cable, hold the cable by the connector at each end and pull until the connector detaches.






1	SATA data cable	2	SATA data connector (on the system board)	3	SATA drive
---	-----------------	---	---	---	------------

When you connect two IDE devices to a single IDE data cable and configure the devices for the cable select setting, the device attached to the last connector on the data cable is primary or the boot device, and the device attached to the middle connector on the data cable is the secondary device. See the drive documentation in your upgrade kit for information on configuring devices for the cable select setting.

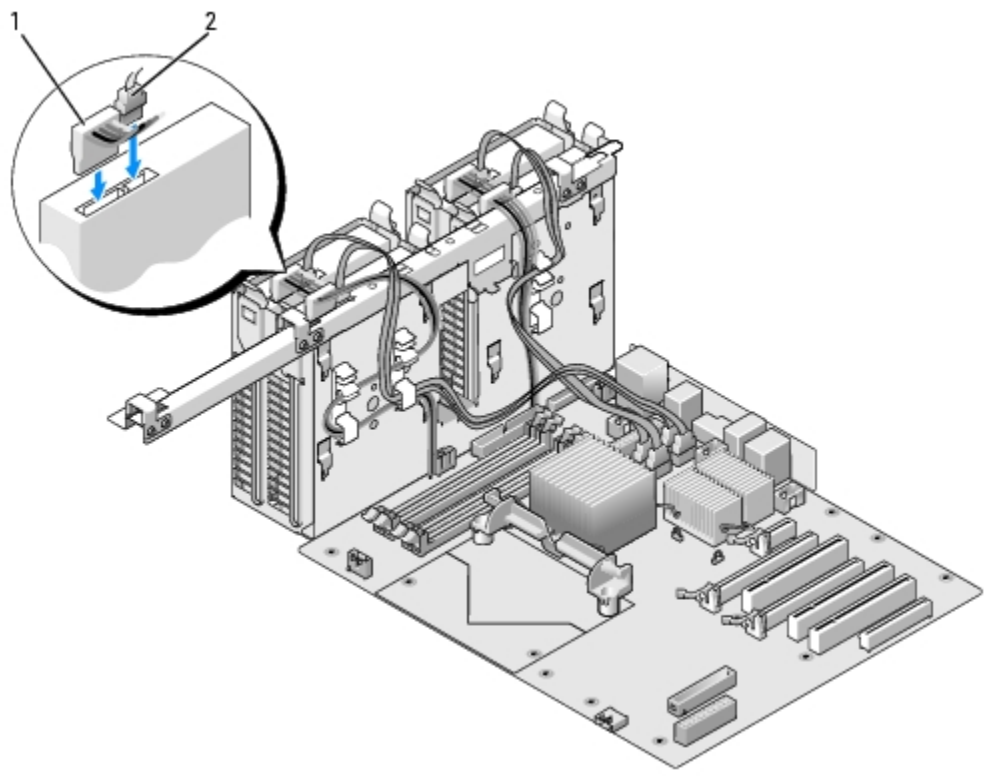
To connect an IDE data cable, align the tab on one connector with the notch on the other. When disconnecting an IDE data cable, grasp the colored pull-tab and pull until the connector detaches.

Hard Drive

Removing a Hard Drive

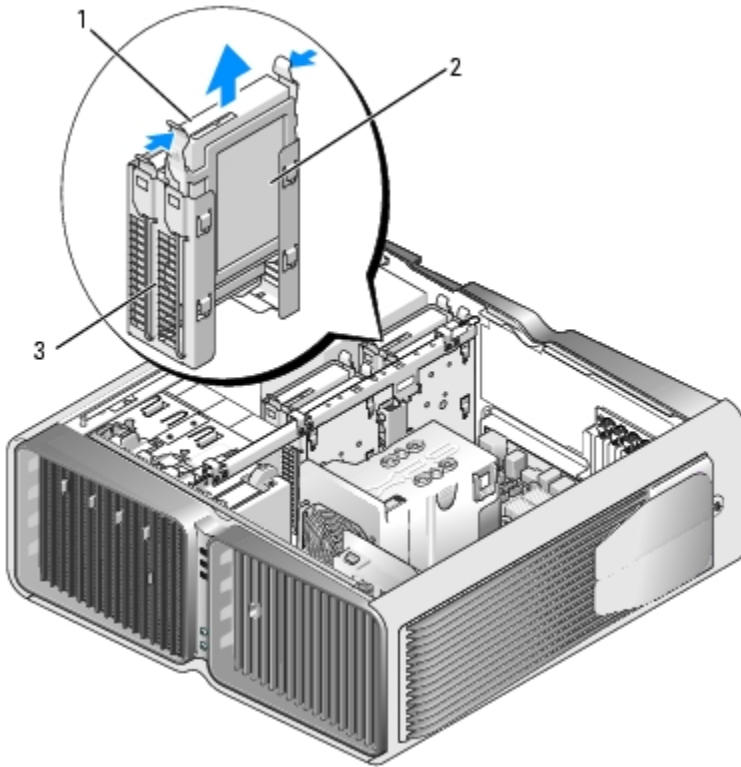
-  **CAUTION:** Before you begin any of the procedures in this section, follow the safety instructions in the *Product Information Guide*.
-  **CAUTION:** To guard against electrical shock, always unplug your computer from the electrical outlet before removing the cover.
-  **NOTICE:** If you are replacing a hard drive that contains data that you want to keep, back up your files before you begin this procedure.

1. Follow the procedures in [Before You Begin](#).
2. Remove the computer cover (see [Removing the Computer Cover](#)).
3. Disconnect the power cable and the data cable from the hard drive.



1	power cable	2	data cable
---	-------------	---	------------

4. Press the blue tabs on each side of the hard-drive bracket toward each other and slide the drive up and out of the hard-drive bay.



1	blue tabs (2)	2	hard drive	3	hard drive bay
---	---------------	---	------------	---	----------------

5. Ensure that all connectors are properly cabled and firmly seated.
6. Replace the computer cover (see [Replacing the Computer Cover](#)).

➡ NOTICE: To connect a network cable, first plug the cable into the network port or device and then plug it into the computer.

7. Connect the computer and devices to electrical outlets, and turn them on.


Installing a Hard Drive

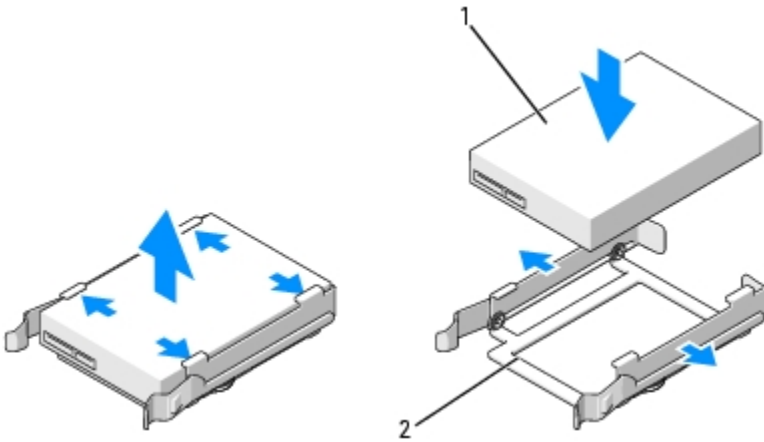
⚠ CAUTION: Before you begin any of the procedures in this section, follow the safety instructions in the *Product Information Guide*.

1. Follow the procedures in [Before You Begin](#).
2. Remove the computer cover (see [Removing the Computer Cover](#)).
3. Remove the existing hard drive, if applicable (see [Removing a Hard Drive](#)).

🔧 NOTE: If a hard-drive bracket is installed inside of the hard-drive bay, remove the bracket before you install the new hard drive.

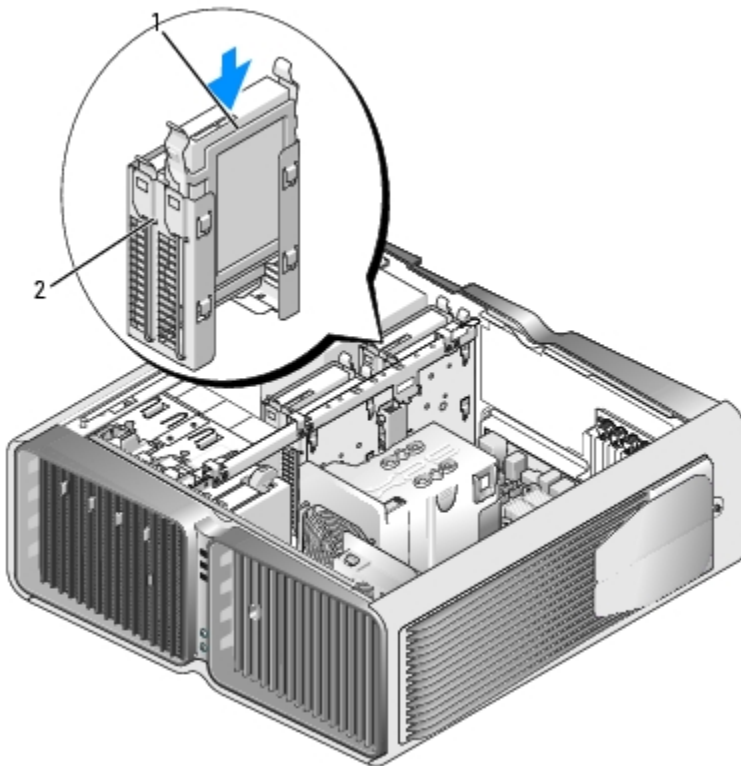
4. Prepare the new hard drive for installation and check the documentation for the hard drive to verify that the drive is configured for your computer.

 **NOTE:** If hard drive you are installing does not have the hard drive bracket attached, use your original hard drive bracket; snap the bracket onto the new drive.




1	hard drive	2	hard drive bracket
---	------------	---	--------------------

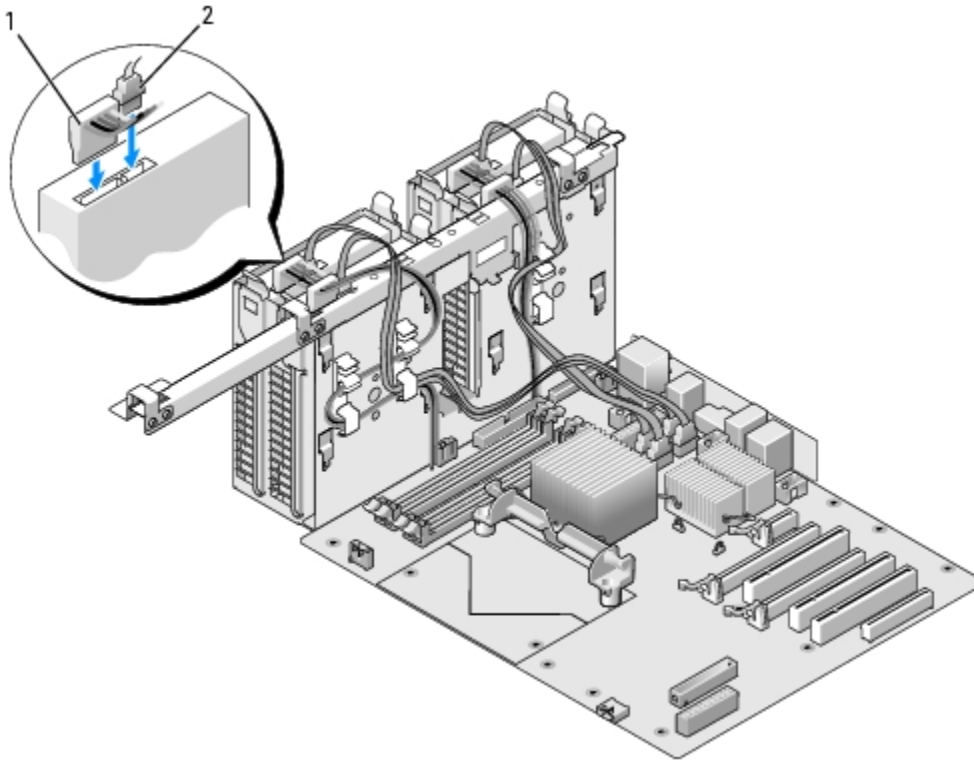
5. Verify that the hard-drive bay is empty and unobstructed.
6. Slide the hard drive into the hard-drive bay until it clicks securely into place.



1	hard drive	2	hard drive bay
---	------------	---	----------------

 **NOTICE:** Ensure that all connectors are properly cabled and firmly seated.

7. Connect the power cable to the hard drive.
8. Connect the hard drive data cable to the hard drive.



1	power cable	2	data cable
---	-------------	---	------------

9. Replace the computer cover (see [Replacing the Computer Cover](#)).

NOTICE: To connect a network cable, first plug the cable into the network port or device and then plug it into the computer.

10. Connect the computer and devices to electrical outlets, and turn them on.

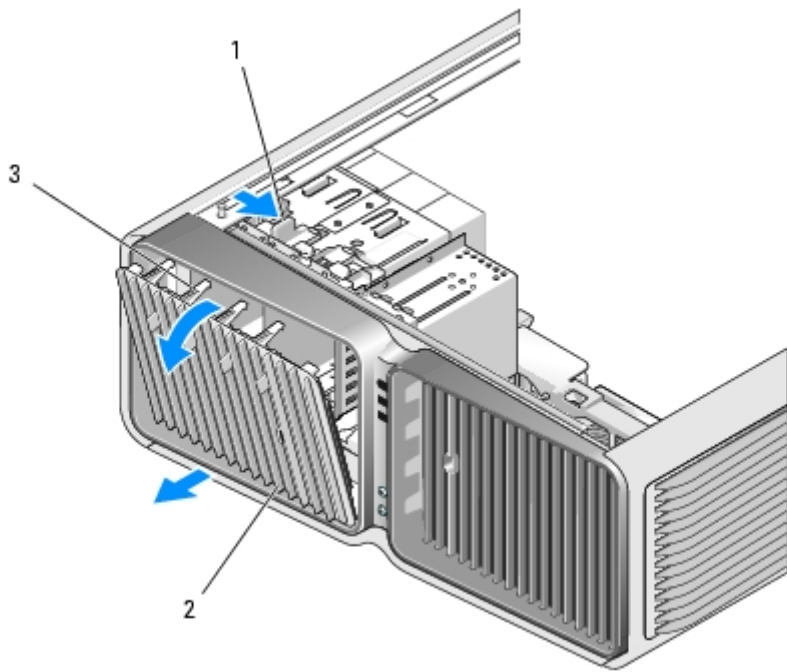
See the documentation that came with the drive for instructions on installing any software required for drive operation.

Drive Panel

CAUTION: Before you begin any of the procedures in this section, follow the safety instructions in the *Product Information Guide*.

Removing the Drive Panel

1. Follow the procedures in [Before You Begin](#).
2. Remove the computer cover (see [Removing the Computer Cover](#)).
3. Grasp the drive release latch and slide it towards the base of the computer until the drive panel snaps open.



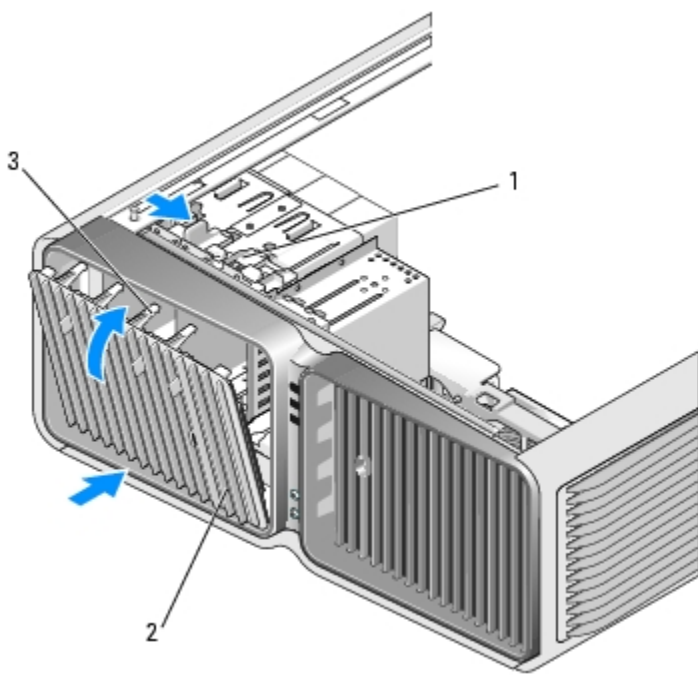
1	drive release latch	2	drive panel	3	drive panel tabs
---	---------------------	---	-------------	---	------------------

4. Pivot the drive panel outward and lift it from its side hinges.

5. Set the drive panel aside in a secure location.

Replacing the Drive Panel

1. Follow the procedures in [Before You Begin](#).
2. Remove the computer cover (see [Removing the Computer Cover](#)).
3. Align the drive panel tabs with the side-door hinges.



1	drive release latch	2	drive panel	3	drive panel tabs
---	---------------------	---	-------------	---	------------------

4. Rotate the drive panel toward the computer until it snaps into place on the drive panel.
5. Replace the computer cover (see [Replacing the Computer Cover](#)).

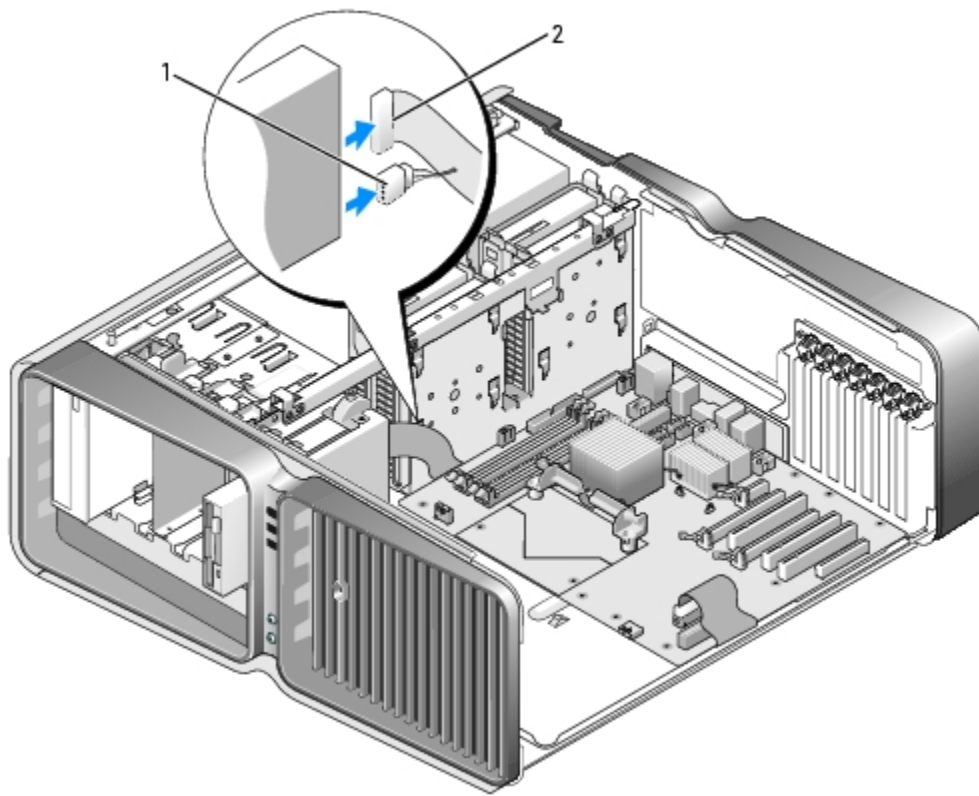
See the documentation that came with the drive for instructions on installing any software required for drive operation.

Floppy Drive

⚠ CAUTION: Before you begin any of the procedures in this section, follow the safety instructions in the *Product Information Guide*.

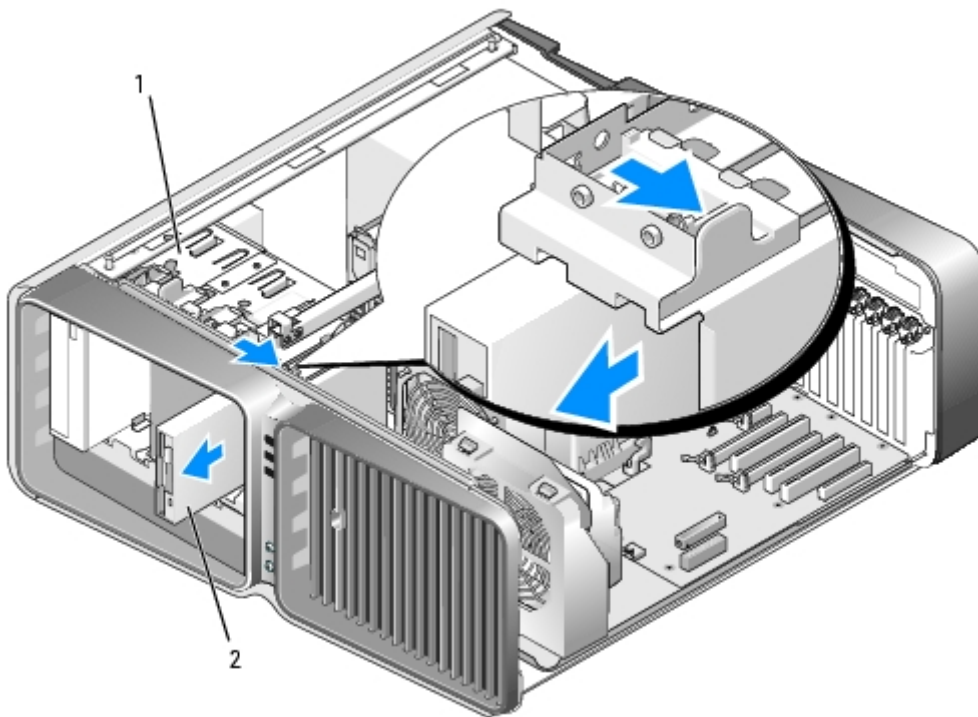
Removing a Floppy Drive

1. Follow the procedures in "[Before You Begin](#)."
2. Remove the computer cover (see [Removing the Computer Cover](#)).
3. Remove the drive panel (see [Removing the Drive Panel](#)).
4. Disconnect the power and data cables from the back of the floppy drive.



1	power cable	2	floppy drive data cable
---	-------------	---	-------------------------

5. Slide the drive release latch towards the base of the computer to release the shoulder screw, and then slide the drive out of the drive bay.



1	drive release latch	2	floppy drive
---	---------------------	---	--------------

6. Replace the drive panel (see [Replacing the Drive Panel](#)).

7. Replace the computer cover (see [Replacing the Computer Cover](#)).

NOTICE: To connect a network cable, first plug the cable into the network port or device and then plug it into the computer.

8. Connect the computer and devices to electrical outlets, and turn them on.

Installing a Floppy Drive

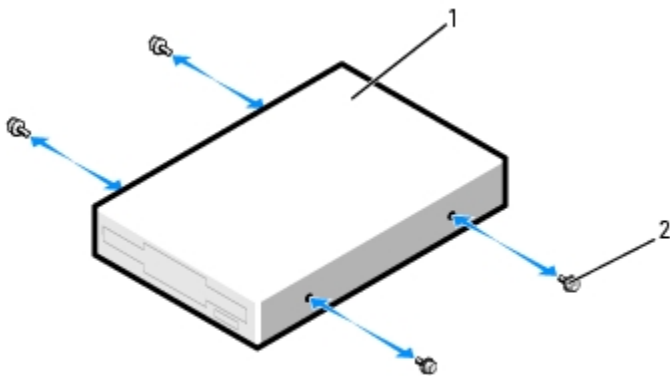
1. Follow the procedures in [Before You Begin](#).

2. Remove the computer cover (see [Removing the Computer Cover](#)).

3. Remove the drive panel (see [Removing the Drive Panel](#)).

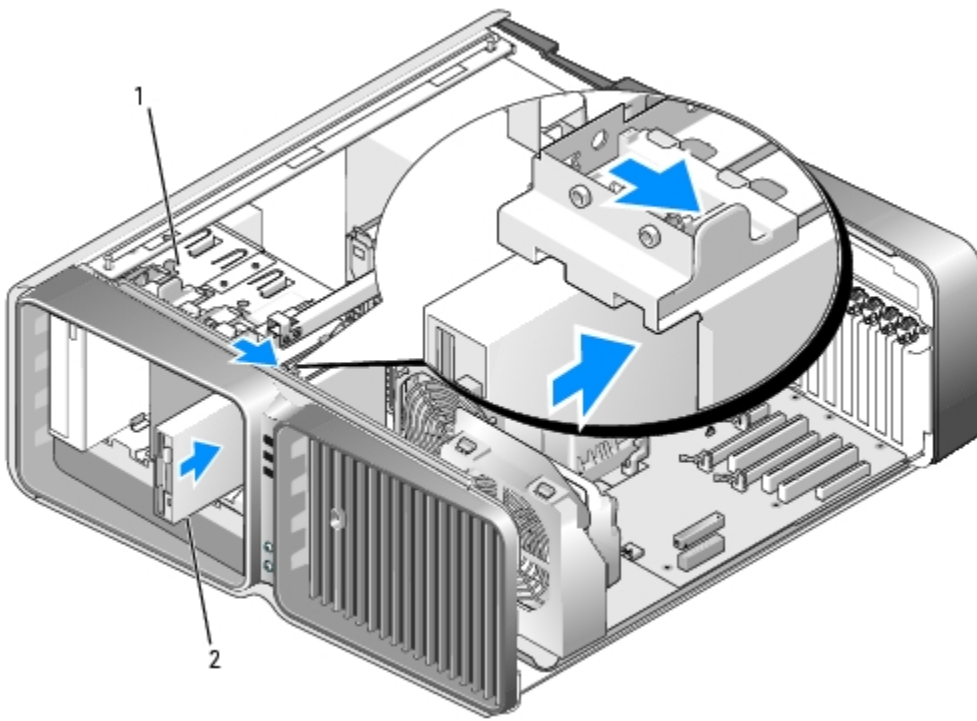
4. Remove the existing floppy drive, if applicable (see [Removing a Floppy Drive](#)).

5. If no screws are attached to the new floppy drive, check the inside of the drive panel for shoulder screws. If screws are present, attach the screws to the new drive.



1	floppy drive	2	shoulder screws (4)
---	--------------	---	---------------------

Slide the floppy drive into the drive bay until it clicks into place.



1	drive release latch	2	floppy drive
---	---------------------	---	--------------

6. Connect the power and data cables to the back of the floppy drive.
7. Check all cable connections and fold cables out of the way to avoid blocking airflow between the fan and cooling vents.
8. Replace the drive panel (see [Replacing the Drive Panel](#)).
9. Replace the computer cover (see [Replacing the Computer Cover](#)).

NOTICE: To connect a network cable, first plug the cable in to the network port or device and then plug it in to the computer.

10. Connect your computer and devices to their electrical outlets, and turn them on.

See the documentation that came with the drive for instructions on installing any software required for drive operation.

11. Enter system setup (see [Entering System Setup](#)), and select the appropriate **Diskette Drive** option.

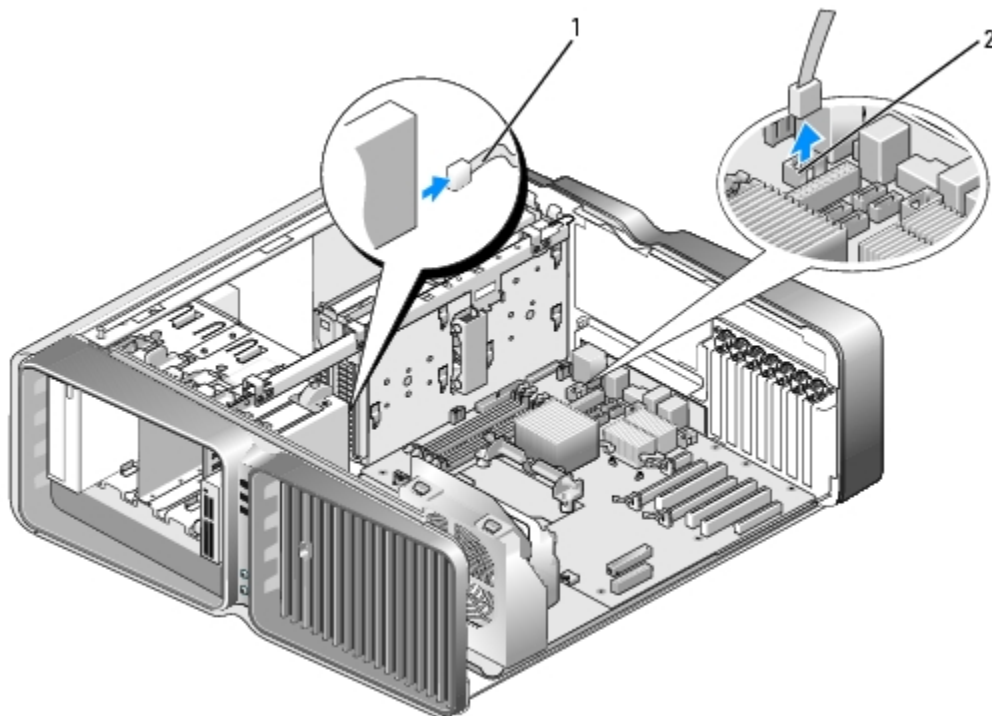
Media Card Reader

CAUTION: Before you begin any of the procedures in this section, follow the safety instructions in the *Product Information Guide*.

Removing a Media Card Reader

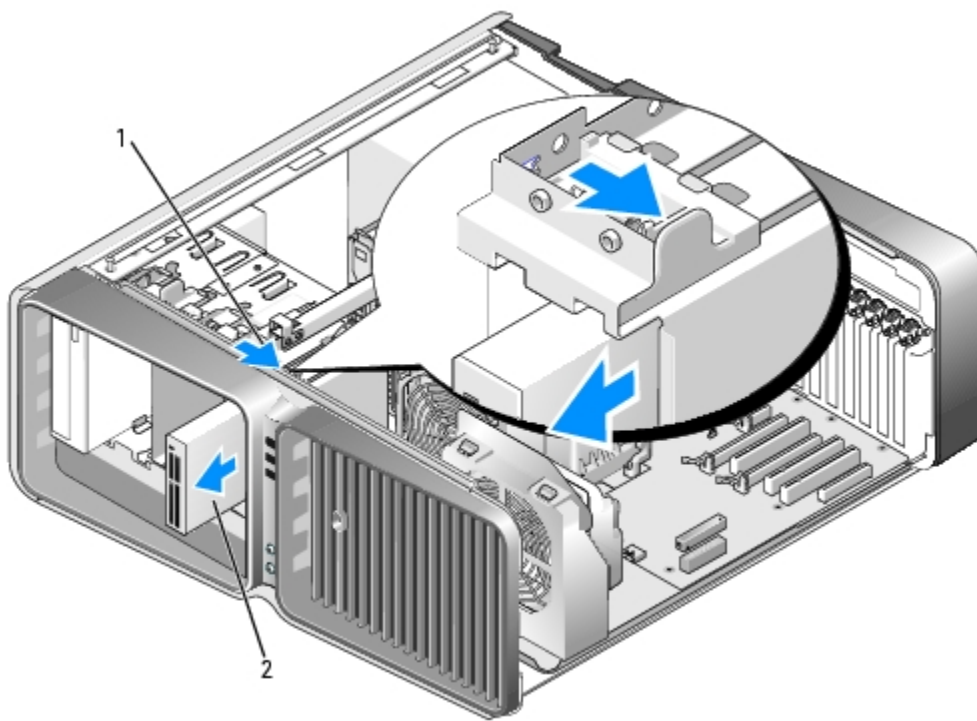
1. Follow the procedures in [Before You Begin](#).

2. Remove the computer cover (see [Removing the Computer Cover](#)).
3. Remove the drive panel (see [Removing the Drive Panel](#)).
4. Disconnect the power and data cables from the back of the Media Card Reader.



1	media card reader power cable	2	system board connector
---	-------------------------------	---	------------------------

5. Slide the drive release latch towards the base of the computer to release the shoulder screw, and then slide the media card reader out of the drive bay.



1	drive release latch	2	media card reader
---	---------------------	---	-------------------

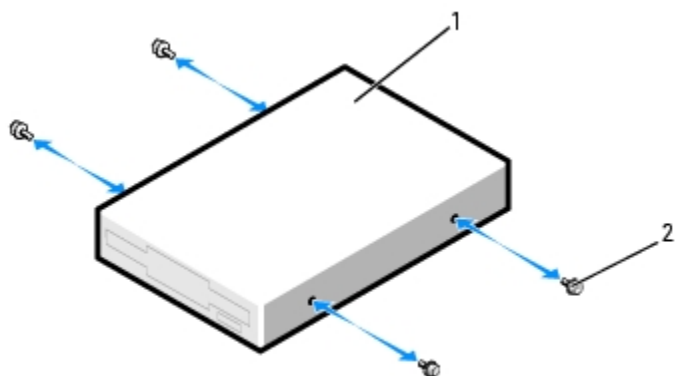
6. Replace the drive panel (see [Replacing the Drive Panel](#)).
7. Replace the computer cover (see [Replacing the Computer Cover](#)).

NOTICE: To connect a network cable, first plug the cable into the network port or device and then plug it into the computer.

8. Connect the computer and devices to electrical outlets, and turn them on.

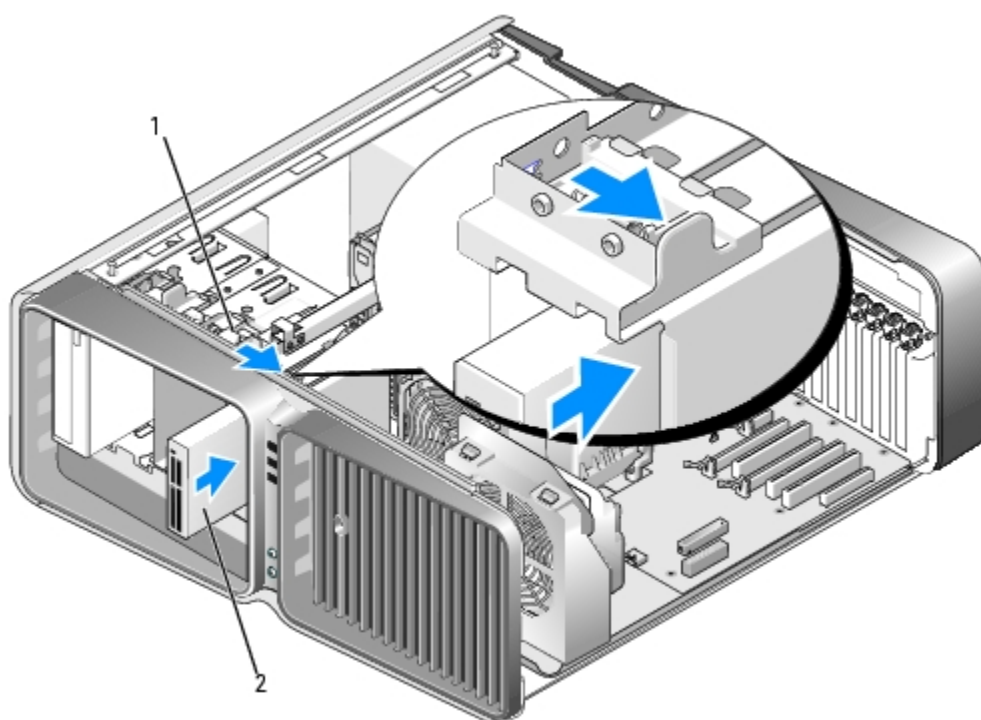
Installing a Media Card Reader

1. Follow the procedures in [Before You Begin](#).
2. Remove the computer cover (see [Removing the Computer Cover](#)).
3. Remove the drive panel (see [Removing the Drive Panel](#)).
4. Remove the existing media card reader, if applicable (see [Removing a Media Card Reader](#)).
5. If no screws are attached to the Media Card Reader, check the inside of the drive panel for shoulder screws. If screws are present, attach the screws to the new card reader.



1	media card reader	2	shoulder screws (4)
---	-------------------	---	---------------------

6. Slide the Media Card Reader into the drive bay until it clicks into place.



1	drive release latch	2	media card reader
---	---------------------	---	-------------------

7. Attach the power and data cables to the back of the Media Card Reader.

8. Check all cable connections and fold cables out of the way to avoid blocking airflow between the fan and cooling vents.

9. Replace the drive panel (see [Replacing the Drive Panel](#)).

10. Replace the computer cover (see [Replacing the Computer Cover](#)).

NOTICE: To connect a network cable, first plug the cable in to the network port or device and then plug it in to the computer.

11. Connect your computer and devices to their electrical outlets, and turn them on.

See the documentation that came with the drive for instructions on installing any software required for drive operation.

12. Enter system setup (see [Entering System Setup](#)) and select the appropriate **USB for FlexBay** option.

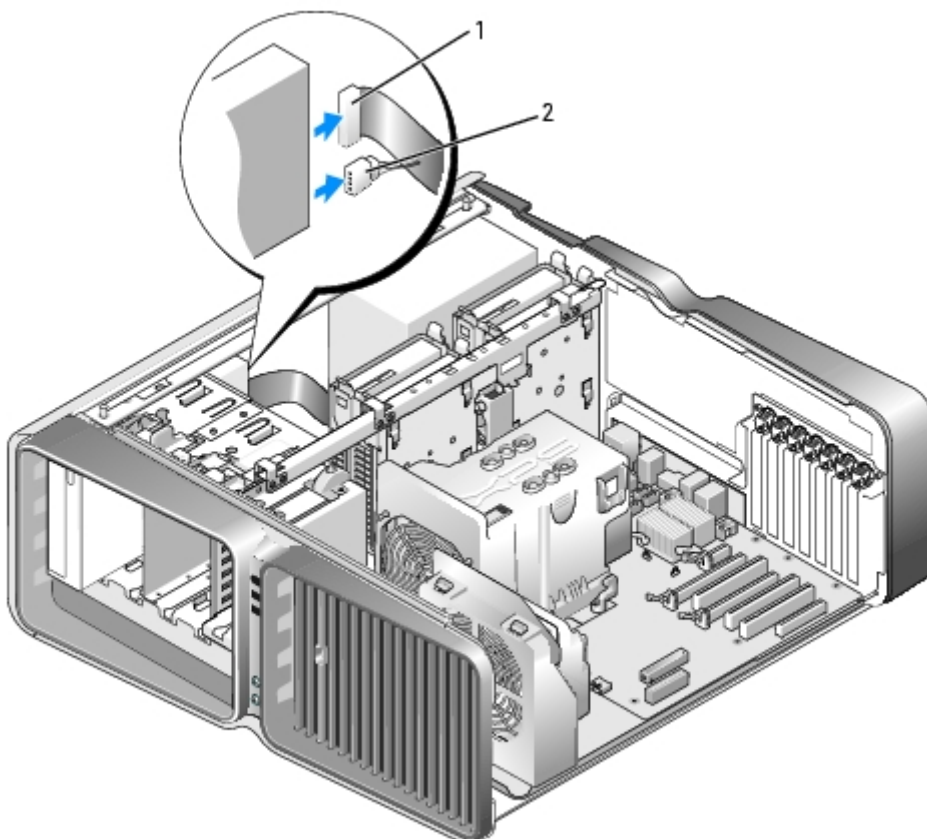
CD/DVD Drive

CAUTION: Before you begin any of the procedures in this section, follow the safety instructions in the *Product Information Guide*.

Removing a CD/DVD Drive

1. Follow the procedures in [Before You Begin](#).
2. Remove the computer cover (see [Removing the Computer Cover](#)).
3. Remove the drive panel (see [Removing the Drive Panel](#)).
4. Disconnect the power and data cables from the back of the drive.

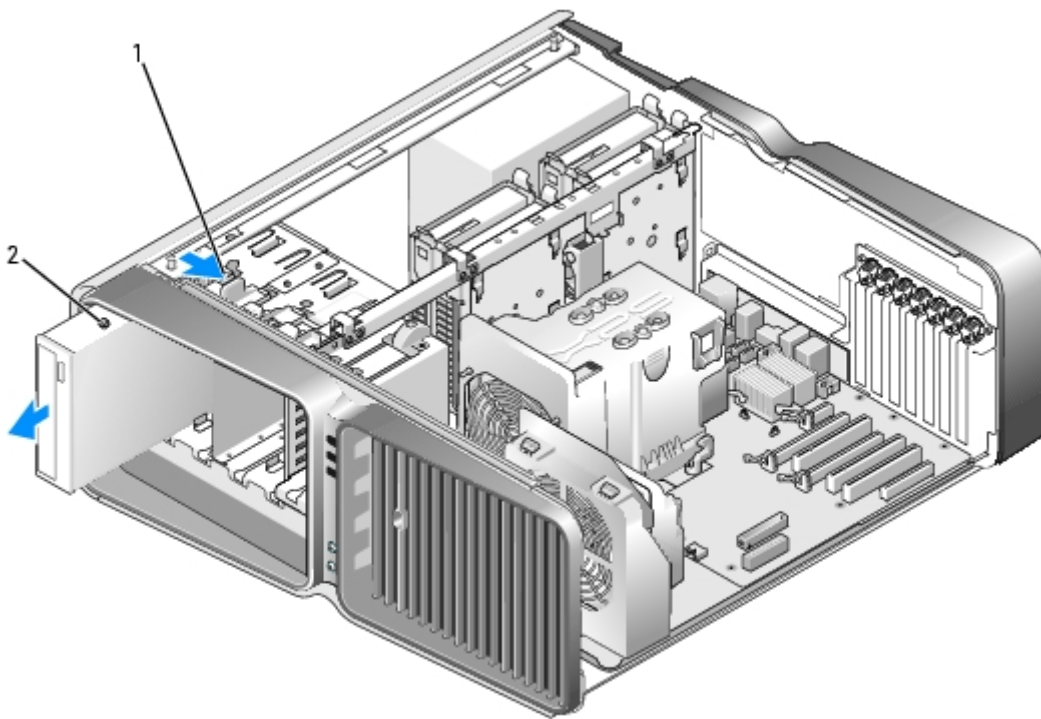
NOTE: If you are uninstalling your only CD/DVD drive and will not replace it at this time, disconnect the data cable from the system board and set it aside.



1	data cable	2	power cable
---	------------	---	-------------

5. Slide the drive release latch towards the base of the computer to release the shoulder screw, and then slide the CD/DVD

drive out of the drive bay.



1	drive release latch	2	CD/DVD drive
---	---------------------	---	--------------

6. Replace the drive panel (see [Replacing the Drive Panel](#)).
7. Replace the computer cover (see [Replacing the Computer Cover](#)).

NOTICE: To connect a network cable, first plug the cable into the network port or device and then plug it into the computer.

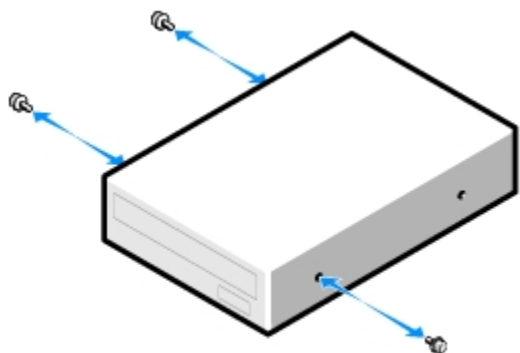
8. Connect the computer and devices to electrical outlets, and turn them on.

Installing a CD/DVD Drive

1. Follow the procedures in [Before You Begin](#).
2. Remove the computer cover (see [Removing the Computer Cover](#)).
3. Remove the drive panel (see [Removing the Drive Panel](#)).
4. Remove the existing CD/DVD drive, if applicable (see [Removing a CD/DVD Drive](#)).
5. Prepare the CD/DVD drive for installation and check the documentation that accompanied the drive to verify that the drive is configured for your computer.

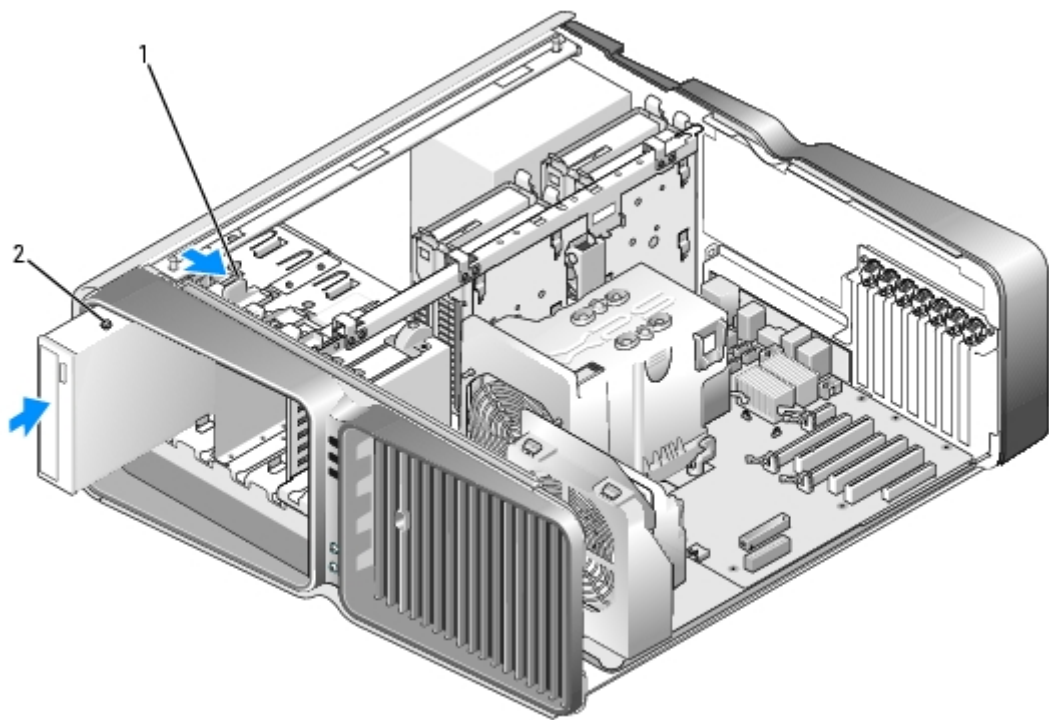
NOTE: If you are installing an IDE drive, configure the drive for the cable select setting.

6. If no screws are attached to the drive, check the inside of the drive panel for screws and, if screws are present, attach the screws to the new drive.



1	CD/DVD drive	2	shoulder screws (3)
---	--------------	---	---------------------

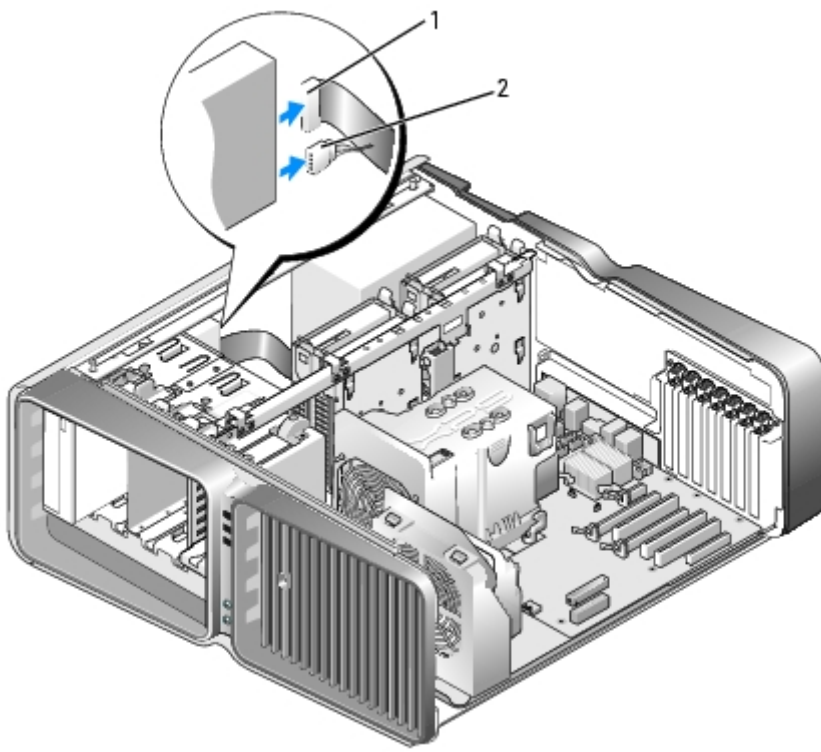
7. Gently slide the drive into the drive bay until you hear a click or feel the drive securely installed.



1	drive release latch	2	CD/DVD drive
---	---------------------	---	--------------


8. Attach the power and data cables to the CD/DVD drive.

To locate the system board connector, see [System Board Components](#).



1	power cable	2	data cable
---	-------------	---	------------

9. Check all cable connections and fold cables out of the way to avoid blocking airflow between the fan and cooling vents.
10. Replace the drive panel (see [Replacing the Drive Panel](#)).
11. Replace the computer cover (see [Replacing the Computer Cover](#)).


 **NOTICE:** To connect a network cable, first plug the cable in to the network port or device and then plug it in to the computer.

12. Connect your computer and devices to their electrical outlets, and turn them on.

See the documentation that came with the drive for instructions on installing any software required for drive operation.

13. Enter system setup (see [Entering System Setup](#)) and select the appropriate **Drive** option.

Processor Airflow Shroud

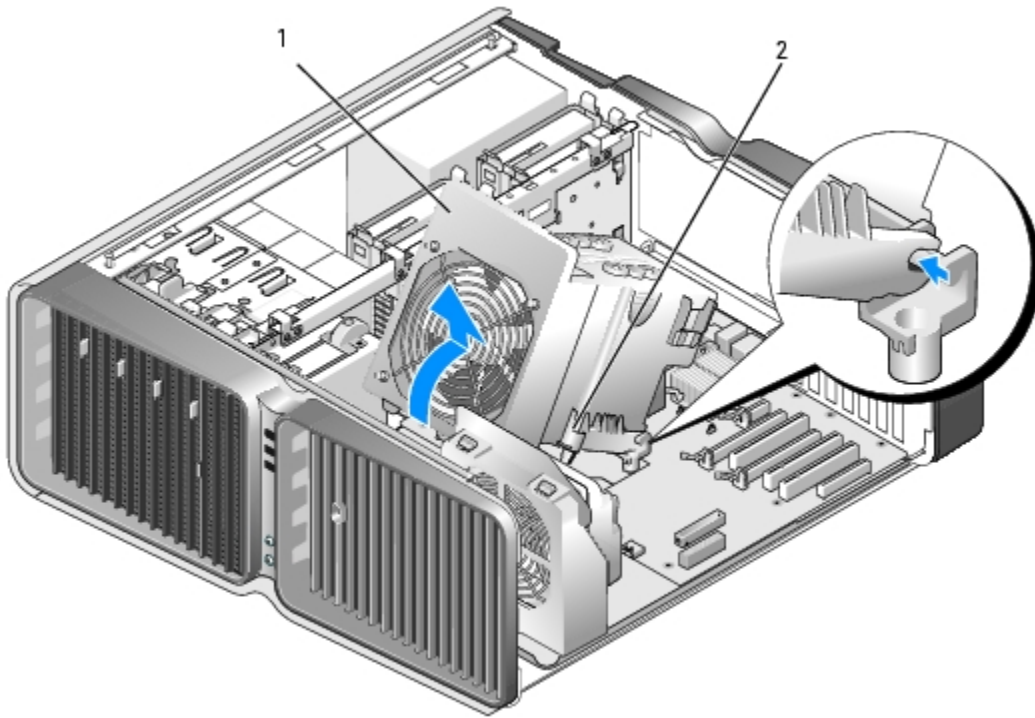
 **CAUTION:** Before you perform this procedure, follow the safety instructions located in the *Product Information Guide*.

Removing the Processor Airflow Shroud

1. Follow the procedures in [Before You Begin](#).
2. Remove the computer cover (see [Removing the Computer Cover](#)).

CAUTION: The processor heat sink can get very hot during normal operation. Be sure that the heat sink has had sufficient time to cool before you touch it.

3. Loosen the two captive screws on the processor airflow shroud, and then rotate the shroud back, away from the fan.



1	processor airflow shroud	2	captive screws (2)
---	--------------------------	---	--------------------

NOTICE: The processor heat sink is attached to the processor airflow shroud. When you remove the airflow shroud, lay it upside down or on its side to avoid damaging the heatsink thermal interface.

4. Lift the processor airflow shroud out of the computer, and then set it aside.

Installing the Processor Airflow Shroud

1. Follow the procedures in [Before You Begin](#).
2. Remove the computer cover (see [Removing the Computer Cover](#)).
3. Align the hinge slots on the processor airflow shroud with the hinge guides on the system board.
4. Gently rotate the processor airflow shroud towards the fan, and then tighten the two captive screws.
5. Close the computer cover (see [Replacing the Computer Cover](#)).

NOTICE: To connect a network cable, first plug the cable into the network port or device and then plug it into the computer.

6. Connect your computer and devices to electrical outlets, and turn them on.

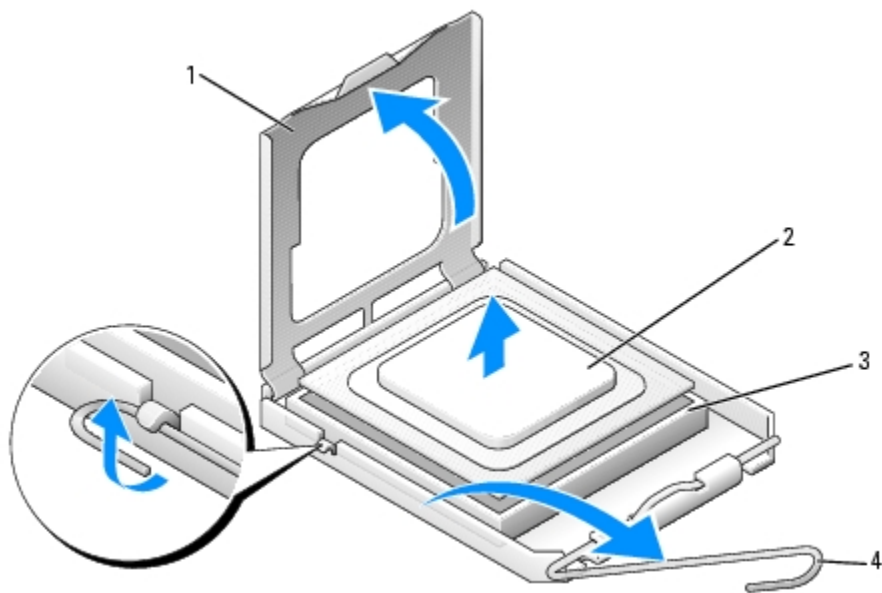
Processor

CAUTION: Before you begin any of the procedures in this section, follow the safety instructions in the *Product Information Guide*.

NOTICE: Do not perform the following steps unless you are familiar with hardware removal and replacement. Performing these steps incorrectly could damage your system board. For technical service, see Dell Hardware Warranty Support Policy (U.S. Only).

Removing the Processor

1. Follow the procedures in [Before You Begin](#).
2. Remove the computer cover (see [Removing the Computer Cover](#)).
3. Disconnect the power cables from the POWER1 and POWER2 connectors (see [System Board Components](#)) on the system board.
4. Remove the airflow shroud (see [Removing the Processor Airflow Shroud](#)).
5. Push down and out on the socket release lever.
6. Lift the socket release lever and open the processor cover.



1	processor cover	2	processor	3	socket
4	socket release lever				

7. Remove the processor from the socket.

Leave the release lever extended in the release position so that the socket is ready for the new processor.

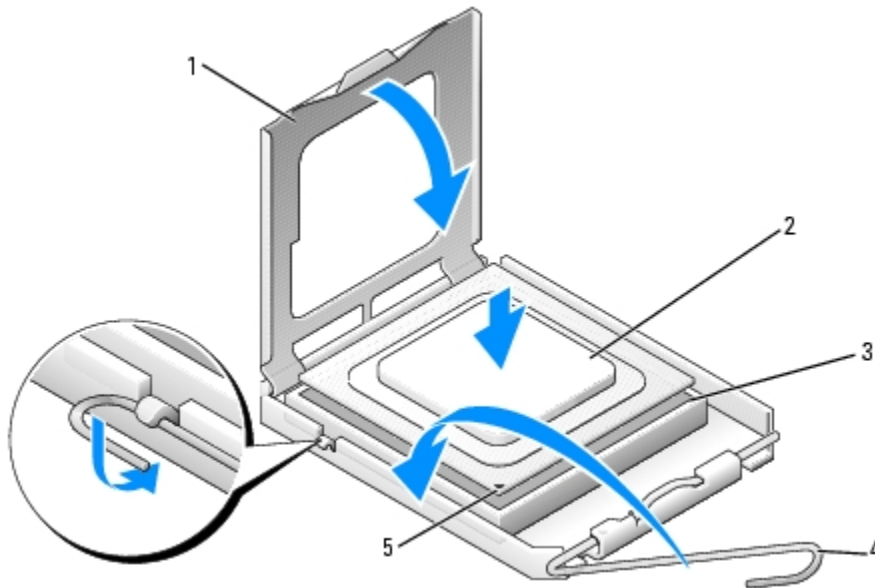
Installing the Processor

➡ **NOTICE:** Ground yourself by touching an unpainted metal surface on the back of the computer.

1. Unpack the new processor.

➡ **NOTICE:** You must position the processor correctly in the socket to avoid permanent damage to the processor and the computer when you turn on the computer.

2. If the release lever on the socket is not fully extended, move it to that position.
3. Align the pin-1 corner of the processor and socket.



1	processor cover	2	processor	3	socket
4	socket release lever	5	socket pin-1 indicator		

➡ **NOTICE:** Socket pins are delicate. To avoid damage, ensure that the processor is aligned properly with the socket, and do not use excessive force when you install the processor. Be careful not to touch or bend the pins on the system board.

4. Set the processor lightly in the socket and ensure that the processor is level in the socket. When the processor is positioned correctly, press it with minimal pressure to seat it.
5. When the processor is fully seated in the socket, close the processor cover.
6. Pivot the socket release lever back toward the socket and snap it into place to secure the processor.
7. Replace the processor airflow shroud (see [Installing the Processor Airflow Shroud](#)).
8. Reconnect the power cables to the POWER1 and POWER2 connectors (see [System Board Components](#)) on the system board.
9. Close the computer cover (see [Replacing the Computer Cover](#)).

➡ **NOTICE:** To connect a network cable, first plug the cable into the network port or device and then plug it into the computer.

10. Connect your computer and devices to electrical outlets, and turn them on.

Battery

⚠ **CAUTION:** Before you begin any of the procedures in this section, follow the safety instructions in the *Product Information Guide*.

Replacing the Battery

A coin-cell battery maintains computer configuration, date, and time information. The battery can last several years.

If you have to repeatedly reset time and date information after turning on the computer, replace the battery.

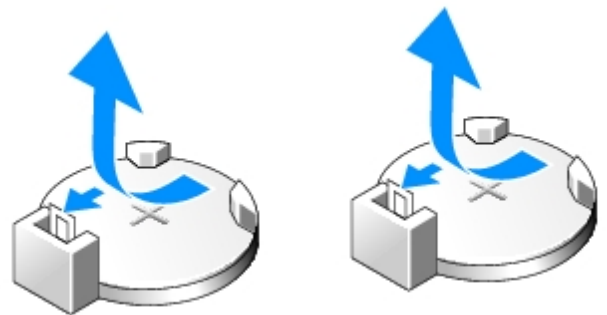
⚠ **CAUTION:** A new battery can explode if it is incorrectly installed. Replace the battery only with the same or equivalent type recommended by the manufacturer. Discard used batteries according to the manufacturer's instructions.

To replace the battery:

1. Record all the screens in system setup (see System Setup) so that you can restore the correct settings after the new battery has been installed.
2. Follow the procedures in [Before You Begin](#).
3. Open the computer cover (see [Removing the Computer Cover](#)).
4. Locate the battery socket (see [System Board Components](#)).

➡ **NOTICE:** If you pry the battery out of its socket with a blunt object, be careful not to touch the system board with the object. Ensure that the object is inserted between the battery and the socket before you attempt to pry out the battery. Otherwise, you may damage the system board by prying off the socket or by breaking circuit traces on the system board.

5. Remove the battery by prying it out of its socket with your fingers.
6. Insert the new battery (CR2032) into the socket with the side labeled "+" facing up, and press the battery into place.
7. Replace the computer cover (see [Replacing the Computer Cover](#)).



➡ **NOTICE:** To connect a network cable, first plug the cable into the network port or device and then plug it into the computer.

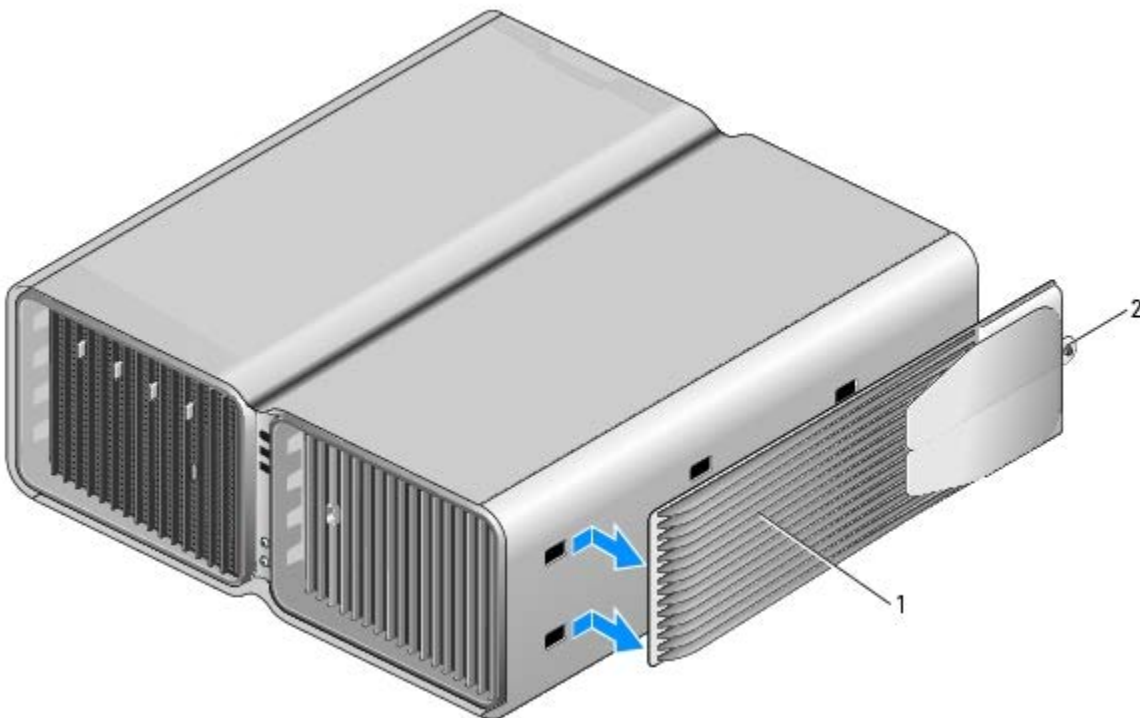
8. Connect your computer and devices to electrical outlets, and turn them on.

9. Enter system setup (see System Setup) and restore the settings you recorded in [step 1](#).
10. Properly dispose of the old battery. See the *Product Information Guide* for battery disposal information.

Removing the Computer Stand

- CAUTION:** Before you begin any of the procedures in this section, follow the safety instructions in the *Product Information Guide*.
- CAUTION:** Your computer is heavy and can be difficult to maneuver. Seek assistance before attempting to lift, move, or tilt the computer and always lift correctly to avoid injury; avoid bending over while lifting.
- CAUTION:** The computer stand should be installed at all times to ensure maximum system stability. Failure to install the stand could result in the computer tipping over, potentially resulting in bodily injury or damage to the computer.

1. Follow the procedures in [Before You Begin](#).
2. Loosen the captive screw securing the stand to the base of the computer.
3. Gently slide the stand back, towards the rear of the computer, then pull the stand away from the computer to remove it.



1	computer stand	2	captive screw
---	----------------	---	---------------

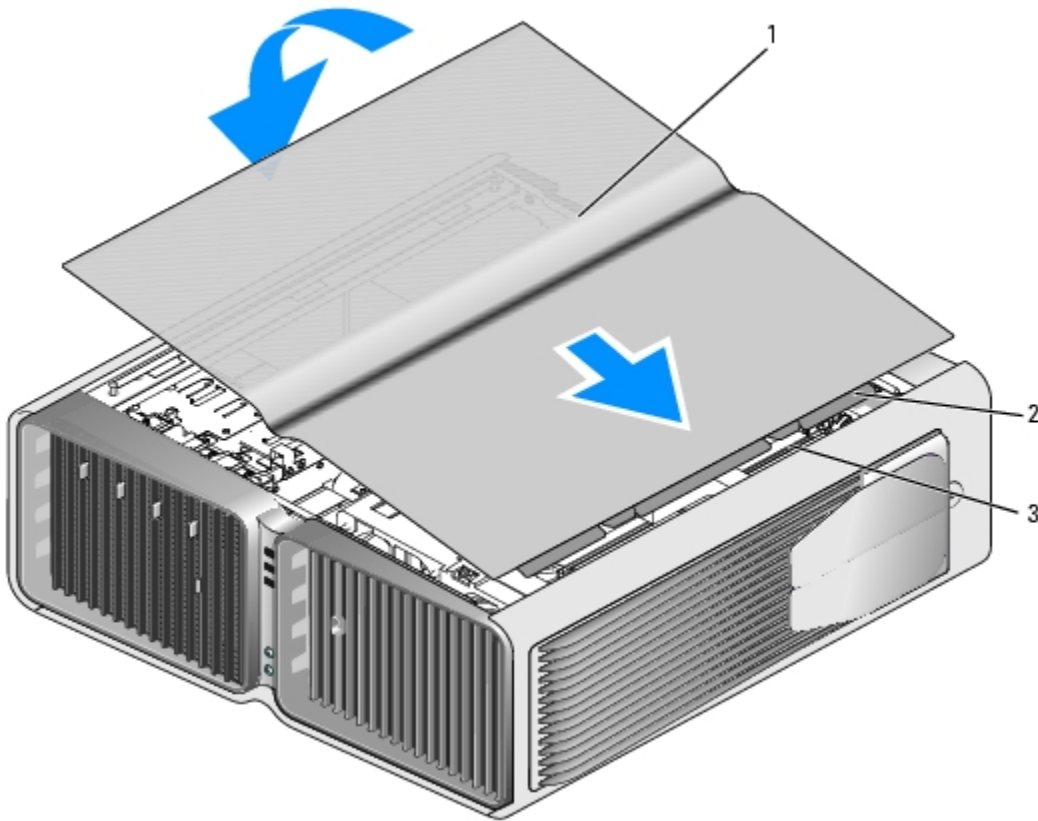
Replacing the Computer Cover

- CAUTION:** Before you begin any of the procedures in this section, follow the safety instructions in the *Product Information Guide*.

- ⚠ CAUTION:** Your computer is heavy and can be difficult to maneuver. Seek assistance before attempting to lift, move, or tilt the computer and always lift correctly to avoid injury; avoid bending over while lifting.
- ⚠ CAUTION:** The computer stand should be installed at all times to ensure maximum system stability. Failure to install the stand could result in the computer tipping over, potentially resulting in bodily injury or damage to the computer.
- ➡ NOTICE:** To avoid electrostatic discharge and damage to internal components, ground yourself by using a wrist grounding strap or by periodically touching an unpainted metal surface on the computer chassis.

1. Ensure that all cables are connected, and fold cables out of the way.
2. Ensure that no tools or extra parts are left inside the computer.
3. Pivot the cover down and into position.
4. Press down on the cover until it clicks into place.

🔧 NOTE: The computer cover should easily snap into place; however, if necessary, pull back on the cover release latch until the cover is completely closed, then slide the release latch forward to secure the cover.



1	computer cover	2	cover hinge tabs	3	hinge slots
---	----------------	---	------------------	---	-------------

5. Carefully, lift the rear of the computer and slide the stabilizing feet outward into the open position.
6. With the help of an assistant, carefully set the computer upright.




➡ NOTICE: To connect a network cable, first plug the cable into the network port or device and then plug it into the computer.


7. Connect your computer and devices to electrical outlets, and turn them on.

[Back to Contents Page](#)


Replacing the Computer Cover

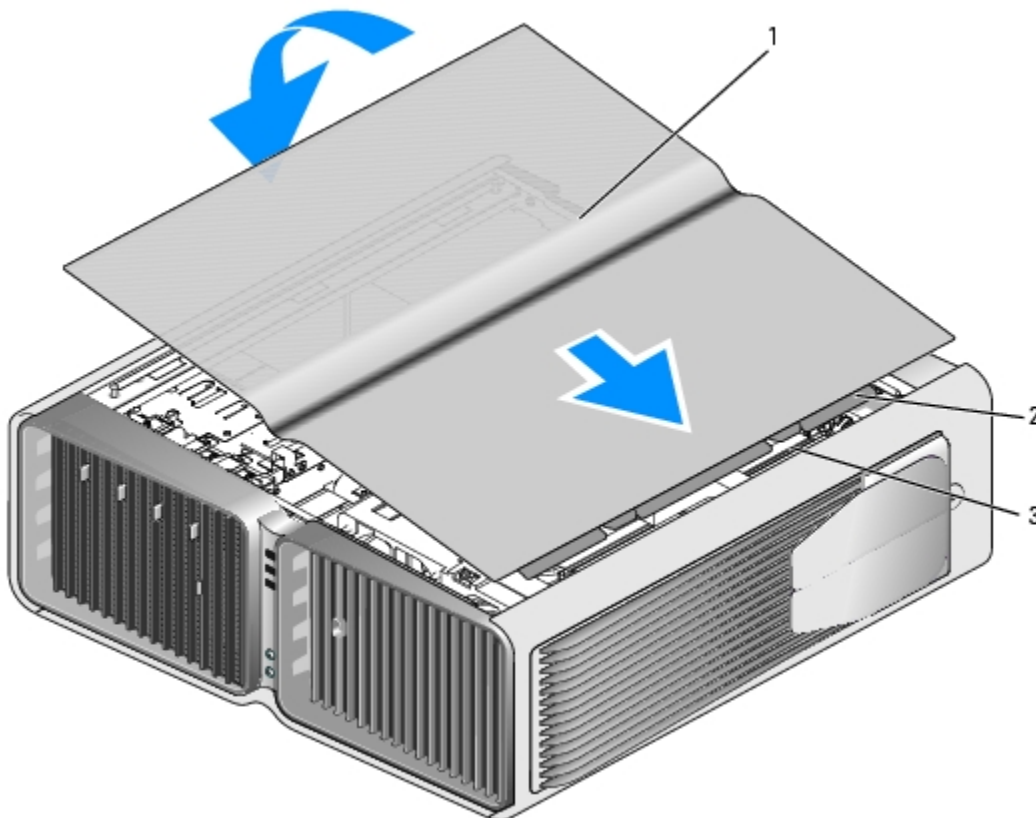
Dell™ XPS™ 700 Service Manual

-  **CAUTION:** Before you begin any of the procedures in this section, follow the safety instructions in the *Product Information Guide*.
-  **CAUTION:** Your computer is heavy and can be difficult to maneuver. Seek assistance before attempting to lift, move, or tilt the computer and always lift correctly to avoid injury; avoid bending over while lifting.
-  **CAUTION:** The computer stand should be installed at all times to ensure maximum system stability. Failure to install the stand could result in the computer tipping over, potentially resulting in bodily injury or damage to the computer.

 **NOTICE:** To avoid electrostatic discharge and damage to internal components, ground yourself by using a wrist grounding strap or by periodically touching an unpainted metal surface on the computer chassis.

1. Ensure that all cables are connected, and fold cables out of the way.
2. Ensure that no tools or extra parts are left inside the computer.
3. Pivot the cover down and into position.
4. Press down on the cover until it clicks into place.


 **NOTE:** The computer cover should easily snap into place; however, if necessary, pull back on the cover release latch until the cover is completely closed, then slide the release latch forward to secure the cover.



1	computer cover	2	cover hinge tabs	3	hinge slots
---	----------------	---	------------------	---	-------------

5. With the help of an assistant, carefully set the computer upright.

6. Carefully, lift the rear of the computer and rotate the stabilizing feet outward into the open position.

 **NOTICE:** To connect a network cable, first plug the cable into the network port or device and then plug it into the computer.

7. Connect your computer and devices to electrical outlets, and turn them on.

[Back to Contents Page](#)

Advanced Troubleshooting

Dell™ XPS™ 700 Service Manual

- [Power Lights](#)
 - [Diagnostic Lights](#)
 - [Beep Codes](#)
 - [System Messages](#)
 - [Dell Diagnostics](#)
-

Power Lights



CAUTION: Before you begin any of the procedures in this section, follow the safety instructions in the *Product Information Guide*.

The power button light located on the front of the computer illuminates and blinks or remains solid to indicate different states:





























- If the power light is green and the computer is not responding, see [Diagnostic Lights](#).
- If the power light is blinking green, the computer is in standby mode. Press a key on the keyboard, move the mouse, or press the power button to resume normal operation.
- If the power light is off, the computer is either turned off or is not receiving power.
 - Reseat the power cable into both the power connector on the back of the computer and the electrical outlet.
 - If the computer is plugged into a power strip, ensure that the power strip is plugged into an electrical outlet and that the power strip is turned on.
 - Bypass power protection devices, power strips, and power extension cables to verify that the computer turns on properly.
 - Ensure that the electrical outlet is working by testing it with another device, such as a lamp.
 - Ensure that the main power cable and front panel cable are securely connected to the system board (see [System Board Components](#)).
- If the power light is blinking amber, the computer is receiving electrical power, but an internal power problem might exist.
 - Ensure that the voltage selection switch is set to match the AC power at your location, if applicable.
 - Ensure that the processor power cable is securely connected to the system board (see [System Board Components](#)).
- If the power light is steady amber, a device may be malfunctioning or incorrectly installed.
 - Remove and then reinstall the memory modules (see [Memory](#)).
 - Remove and then reinstall any cards (see [Cards](#)).
- Eliminate interference. Some possible causes of interference are:
 - Power, keyboard, and mouse extension cables
 - Too many devices on a power strip
 - Multiple power strips connected to the same electrical outlet













Diagnostic Lights

 **CAUTION:** Before you begin any of the procedures in this section, follow the safety instructions in the *Product Information Guide*.

To help troubleshoot a problem, your computer has four lights labeled 1, 2, 3, and 4 on the front panel (see [Front View](#)). When the computer starts normally, the lights flash before turning off. If the computer malfunctions, the sequence of the lights help to identify the problem.

 **NOTE:** After the computer completes POST, all four lights turn off before booting to the operating system.

Light Pattern	Problem Description	Suggested Resolution
   	The computer is in a normal <i>off</i> condition or a possible pre-BIOS failure has occurred. The diagnostic lights are not lit after the system successfully boots to the operating system.	<ul style="list-style-type: none"> Plug the computer into a working electrical outlet (see "Power Problems" in your <i>Owner's Manual</i>). If the problem persists, contact Dell (see "Contacting Dell" in your <i>Owner's Manual</i>).
   	A possible processor failure has occurred.	<ul style="list-style-type: none"> Reseat the processor (see Processor). If the problem persists, contact Dell (see "Contacting Dell" in your <i>Owner's Manual</i>).
   	Memory modules are detected, but a memory failure has occurred.	<ul style="list-style-type: none"> If two or more memory modules are installed, remove the modules (see Removing Memory), then reinstall one module (see Installing Memory) and restart the computer. If the computer starts normally, continue to install additional memory modules (one at a time) until you have identified a faulty module or reinstalled all modules without error. If available, install working memory of the same type into your computer (see Installing Memory). If the problem persists, contact Dell (see "Contacting Dell" in your <i>Owner's Manual</i>).
   	A possible graphics card failure has occurred.	<ul style="list-style-type: none"> Reseat any installed graphics cards (see Cards). If available, install a working graphics card into your computer. If the problem persists, contact Dell (see "Contacting Dell" in your <i>Owner's Manual</i>).
   	A possible floppy drive or hard drive failure has occurred.	Reseat all power and data cables.
   	A possible USB failure has occurred.	Reinstall all USB devices and check all cable connections.
   	No memory modules are detected.	<ul style="list-style-type: none"> If two or more memory modules are installed, remove the modules (see Removing Memory), then reinstall one module (see Installing Memory) and restart the computer. If the computer starts normally, continue to install additional memory modules (one at a time) until you have identified a faulty module or reinstalled all modules without error. If available, install working memory of the same type into your computer (see Installing Memory). If the problem persists, contact Dell (see "Contacting Dell" in your <i>Owner's Manual</i>).

   	<p>Memory modules are detected, but a memory configuration or compatibility error has occurred.</p>	<ul style="list-style-type: none"> • Ensure that no special requirements for memory module/connector placement exist (see Memory). • Ensure that the memory you are using is supported by your computer (see Memory). • If the problem persists, contact Dell (see "Contacting Dell" in your <i>Owner's Manual</i>).
   	<p>A possible expansion card failure has occurred.</p>	<ol style="list-style-type: none"> 1. Determine if a conflict exists by removing an expansion card (not a graphics card) and restarting the computer (see Removing PCI and PCI Express Cards). 2. If the problem persists, reinstall the card you removed, then remove a different card and restart the computer. 3. Repeat this process for each expansion card installed. If the computer starts normally, troubleshoot the last card removed from the computer for resource conflicts (see "Resolving Software and Hardware Incompatibilities" in your <i>Owner's Manual</i>). 4. If the problem persists, contact Dell (see "Contacting Dell" in your <i>Owner's Manual</i>).
   	<p>Another failure has occurred.</p>	<ul style="list-style-type: none"> • Ensure that all hard drive and CD/DVD drive cables are properly connected to the system board (see System Board Components). • If there is an error message on the screen identifying a problem with a device (such as the floppy drive or hard drive), check the device to make sure it is functioning properly. • If the operating system is attempting to boot from a device (such as the floppy drive or CD/DVD drive); check system setup (see System Setup) to ensure the boot sequence is correct for the devices installed on your computer. • If the problem persists, contact Dell (see "Contacting Dell" in your <i>Owner's Manual</i>).

Beep Codes

Your computer might emit a series of beeps during start-up if the monitor cannot display errors or problems. This series of beeps, called a beep code, identifies a problem. For example, beep code 1-3-1 (one possible beep code) consists of one beep, a burst of three beeps, and then one beep. This beep code tells you that the computer encountered a memory problem.

Reseating the memory modules may correct the following beep code errors. If the problem persists, see "Contacting Dell" in your *Owner's Manual* for instructions on obtaining technical assistance.

Code	Cause
1-3-1 through 2-4-4	Memory not being properly identified or used
4-3-1	Memory failure above address 0FFFFh

If you experience any of the following beep code errors, see "Contacting Dell" in your *Owner's Manual* for instructions on obtaining technical assistance.

Code	Cause
1-1-2	Microprocessor register failure
1-1-3	NVRAM
1-1-4	ROM BIOS checksum failure
1-2-1	Programmable interval timer
1-2-2	DMA initialization failure
1-2-3	DMA page register read/write failure

3-1-1	Slave DMA register failure
3-1-2	Master DMA register failure
3-1-3	Master interrupt mask register failure
3-1-4	Slave interrupt mask register failure
3-2-2	Interrupt vector loading failure
3-2-4	Keyboard Controller Test failure
3-3-1	NVRAM power loss
3-3-2	NVRAM configuration
3-4-1	Screen initialization failure
3-4-2	Screen retrace failure
4-2-1	No time tick
4-2-2	Shutdown failure
4-2-3	Gate A20 failure
4-2-4	Unexpected interrupt in protected mode
4-3-3	Timer-chip counter 2 failure
4-3-4	Time-of-day clock stopped
4-4-1	Serial or parallel port test failure
4-4-4	Cache test failure

System Messages



NOTE: If the message you received is not listed in the table, see the documentation for either the operating system or the program that was running when the message appeared.

Message	Possible Cause	Corrective Action
8042 Gate-A20 error	The keyboard controller failed its test.	If you receive this message after you make changes in the system setup program, enter the system setup program and restore the original value(s).
Address Line Short!	An error in the address decoding circuitry in the memory has occurred.	Reseat the memory modules (see Memory).
C: Drive Error C: Drive Failure	The hard drive is not working or is not configured correctly.	Ensure that the hard drive is installed correctly in the computer (see Hard Drive) and defined correctly in the system setup program (see System Setup).
Cache Memory Bad, Do Not Enable Cache	The cache memory is not operating.	See "Contacting Dell" in your <i>Owner's Manual</i> for instructions on obtaining technical assistance.
CH-2 Timer Error	An error is occurring on the timer on the system board.	See "Contacting Dell" in your <i>Owner's Manual</i> for instructions on obtaining technical assistance.
CMOS Battery State Low CMOS Checksum Failure	The system configuration information in the system setup program is incorrect or the battery charge may be low.	Enter the system setup program (see Entering System Setup), verify the system configuration, and then restart the computer.

CMOS System Options Not Set		
CMOS Display Type Mismatch		
CMOS Memory Size Mismatch		
CMOS Time and Date Not Set		
Diskette Boot Failure	Drive A or B is present but has failed the BIOS POST.	Ensure that the drive is installed correctly in the computer (see Drives) and defined correctly in the system setup program (see System Setup). Check the interface cable at both ends.
DMA Error DMA 1 Error DMA 2 Error	Error in the DMA controller on the system board.	The keyboard or system board may need to be replaced.
FDD Controller Failure HDD Controller Failure	The BIOS cannot communicate with the floppy drive or hard drive controller.	Ensure that the floppy drive or the hard drive is installed correctly in the computer (see Drives) and defined correctly in the system setup program (see System Setup). Check the interface cable at both ends.
INTR1 Error INTR2 Error	An interrupt channel on the system board failed to POST.	The keyboard or system board may need to be replaced.
Invalid Boot Diskette	The operating system cannot be located on drive A or drive C.	Enter the system setup program (see Entering System Setup) and confirm that drive A or drive C is properly identified.
Keyboard Error	The BIOS has detected a stuck key.	Ensure that nothing is resting on the keyboard; if a key appears to be stuck, carefully pry it up. If the problem persists, you may need to replace the keyboard.
KB/Interface Error	An error occurred with the keyboard connector.	Ensure that nothing is resting on the keyboard; if a key appears to be stuck, carefully pry it up. If the problem persists, you may need to replace the keyboard.
No ROM Basic	The operating system cannot be located on drive A or drive C.	Enter the system setup program (see Entering System Setup) and confirm that drive A or drive C is properly identified.

Dell Diagnostics



CAUTION: Before you begin any of the procedures in this section, follow the safety instructions in the *Product Information Guide*.

When to Use the Dell Diagnostics

If you experience a problem with your computer, perform the checks in "Solving Problems" in your *Owner's Manual* and run the Dell Diagnostics before you contact Dell for technical assistance.





NOTE: The Dell Diagnostics only operate on Dell computers.

Run Dell Diagnostics from your hard drive or from the *Drivers and Utilities CD (ResourceCD)*.

Starting the Dell Diagnostics From Your Hard Drive


1. Turn on (or restart) your computer.
2. When the DELL logo appears, press <F12> immediately.

 **NOTE:** Keyboard failure may result when a key is held down for extended periods of time. To avoid possible keyboard failure, press and release <F12> in even intervals to open the **Boot Device Menu**.


 **NOTE:** If at any time a message appears stating that no diagnostics utility partition has been found, run the Dell Diagnostics from your *Drivers and Utilities* CD (see [Starting the Dell Diagnostics From the Drivers and Utilities CD](#)).

If you wait too long and the operating system logo appears, continue to wait until you see the Microsoft® Windows® desktop, then shut down your computer and try again.

3. At the **Boot Device Menu**, use the up- and down-arrow keys or press the appropriate number on the keyboard to highlight **Boot to Utility Partition**, and then press <Enter>.

 **NOTE:** The Quickboot feature changes the boot sequence for the current boot only. Upon restart, the computer boots according to the boot sequence specified in system setup.


4. At the Dell Diagnostics **Main Menu**, left-click with the mouse, or press <Tab> and then <Enter>, to select the test you want to run (see [Dell Diagnostics Main Menu](#)).

 **NOTE:** Write down any error codes and problem descriptions exactly as they appear and follow the instructions on the screen.

5. After all tests have completed, close the test window to return to the Dell Diagnostics **Main Menu**.
6. Close the **Main Menu** window to exit the Dell Diagnostics and restart the computer.


Starting the Dell Diagnostics From the Drivers and Utilities CD

1. Turn on your computer.
2. Press the eject button on the front of the computer (see [Front View](#)) to open the drive tray.
3. Place the *Drivers and Utilities* CD in the center of the drive tray, then press the eject button or gently push on the tray to close it.
4. Restart the computer.
5. When the DELL logo appears, press <F12> immediately.

 **NOTE:** Keyboard failure may result when a key on the keyboard is held down for extended periods of time. To avoid possible keyboard failure, press and release <F12> in even intervals until the **Boot Device Menu** appears.

If you wait too long and the Windows logo appears, continue to wait until you see the Windows desktop, then shut down your computer and try again.


6. At the **Boot Device Menu**, use the up- and down-arrow keys or press the appropriate number on the keyboard to highlight **Onboard or USB CD-ROM**, and then press <Enter>.

 **NOTE:** The Quickboot feature changes the boot sequence for the current boot only. Upon restart, the computer boots according to the boot sequence specified in system setup.

- At the **CD-ROM Startup Menu**, use the up- and down-arrow keys or press the appropriate number on the keyboard to highlight **Boot from CD-ROM**, and then press <Enter>.

If you wait too long and the Windows logo appears, continue to wait until you see the Windows desktop, then shut down your computer and try again.

- Press <1> to select the Dell Diagnostics.
- At the **Dell Diagnostics Menu** press <1> to select the Dell Diagnostics for ResourceCD (graphical user interface).
- At the Dell Diagnostics **Main Menu**, left-click with the mouse, or press <Tab> and then <Enter>, to select the test you want to run (see [Dell Diagnostics Main Menu](#)).

 **NOTE:** Write down any error codes and problem descriptions exactly as they appear and follow the instructions on the screen.


- After all tests have completed, close the test window to return to the Dell Diagnostics **Main Menu**.
- Remove the *Drivers and Utilities* CD, then close the **Main Menu** window to exit the Dell Diagnostics and restart the computer.

Dell Diagnostics Main Menu

The following tests can be run from the Dell Diagnostics **Main Menu**:

Option	Function
Express Test	Performs a quick test of system devices. The test typically takes 10 to 20 minutes and requires no interaction on your part. Run Express Test first to increase the possibility of tracing the problem quickly.
Extended Test	Performs a thorough check of system devices. The test typically takes an hour or more and periodically requires your input to answer specific questions.
Custom Test	Tests a specific device in the system and can be used to customize the tests you want to run.
Symptom Tree	Lists a number of common symptoms and allows you to select a test based on the symptom of the problem you are having.

For any problem encountered during a test, a message appears with an error code and a description of the problem. Write down the error code and problem description exactly as it appears and follow the instructions on the screen. If you cannot resolve the problem, contact Dell (see "Contacting Dell" in your *Owner's Manual*).

 **NOTE:** The Service Tag for your computer is located at the top of each test screen. When contacting Dell support, have your Service Tag ready.

The following tabs provide additional information for tests run from the **Custom Test** or **Symptom Tree** option:

Tab	Function
Results	Displays the results of the test and any error conditions encountered.
Errors	Displays error conditions encountered, error codes, and the problem description.

Help	Describes the test and any requirements for running the test.
Configuration (Custom Test only)	Displays the hardware configuration for the selected device. The Dell Diagnostics obtains configuration information for all devices from system setup, memory, and various internal tests, and it displays the information in the device list in the left pane of the screen. NOTE: The device list may not display the names of all the components installed on your computer or all devices attached to your computer.
Parameters (Custom Test only)	Allows you to customize the test, if applicable, by changing the test settings.

[Back to Contents Page](#)

System Setup

Dell™ XPS™ 700 Service Manual


- [Overview](#)
- [Entering System Setup](#)
- [System Setup Options](#)
- [Boot Sequence](#)
- [Clearing Forgotten Passwords](#)
- [Clearing CMOS Settings](#)

Overview

Use system setup:


- To change the system configuration information after you add, change, or remove any hardware in your computer
- To set or change a user-selectable option such as the user password
- To read the current amount of memory or set the type of hard drive installed

Before you use system setup, it is recommended that you write down the system setup screen information for future reference.

 **NOTICE:** Do not change the settings in system setup unless you are an expert computer user. Certain changes can cause your computer to work incorrectly.

Entering System Setup

1. Turn on (or restart) your computer.
2. When the DELL logo appears, press <F2> immediately.

 **NOTE:** Keyboard failure may result when a key on the keyboard is held down for extended periods of time. To avoid possible keyboard failure, press and release <F2> in even intervals until the system setup screen appears.

If you wait too long and the operating system logo appears, continue to wait until you see the Microsoft® Windows® desktop, then shut down your computer and try again.

System Setup Screens

The system setup screen displays current or changeable configuration information for your computer. Information on the screen is divided into three areas: the options list, the active options field, and key functions.

	<p>Options Field — This field appears on the right side of the system setup window and contains information about each option listed in the Options List. In this field you can view information about your computer and make changes to your current settings.</p>
--	---

Press the left- and right-arrow keys to highlight an option.

Options List — This field appears on the left side of the system setup window. The field is a scrollable list containing features that define the configuration of your computer, including installed hardware, power conservation, and security features.


Scroll up and down the list with the up- and down-arrow keys. As an option is highlighted, the **Options Field** displays more information about that option and the option's current and available settings.

Press <Enter> to make that selection active and return to the **Options List**.

NOTE: Not all settings listed in the Options Field are changeable.

Key Functions — This field appears below the **Options Field** and lists keys and their functions within the active system setup field.

System Setup Options

 **NOTE:** Depending on your computer and installed devices, the items listed in this section may not appear, or may not appear exactly as listed.

System	
Processor Info	Identifies the processor type, clock speed, bus speed, L2 cache, ID, and whether the processor is multiple core capable, supports Hyper-Threading and supports 64-bit technology.
Memory Info	Identifies the memory type, speed, and channel mode (dual or single) by DIMM slot location.
PCI Info	Indicates the expansion card type by slot location.
Date/Time	Displays current date and time settings.
Boot Sequence	The computer attempts to boot from the sequence of devices specified in this list. NOTE: If you insert a boot device and restart the computer, this option appears in the system setup menu. To boot from a USB memory device, for example, select the USB device and move it so that it becomes the first device in the boot sequence.

Drives	
Diskette Drive (Internal default)	Enables and disables the floppy drive attached to the DSKT connector on the system board and sets read permissions for the drive.

	<ul style="list-style-type: none"> • Off — All floppy drives are disabled. • USB — USB floppy drives are enabled • Internal — The integrated floppy drive is enabled. • Read Only — The integrated floppy drive is enabled with read-only access. <p>NOTE: Operating systems with USB support will recognize USB floppy drives regardless of this setting.</p>
SATA Drives 0 through 5 (On default)	<p>Enables or disables drives attached to the SATA connectors on the system board.</p> <ul style="list-style-type: none"> • Off — A device attached to the interface is not usable. • On — A device attached to the interface is usable. • RAID On - A device attached to the interface is configured for RAID (see "About Your RAID Configuration" in your <i>Owner's Manual</i>).
PATA Drives 0 through 1 (On default)	<p>Enables or disables drives attached to the ATA connectors on the system board, and lists the controller details.</p> <ul style="list-style-type: none"> • Off — A device attached to the interface is not usable. • On — A device attached to the interface is usable.
SMART Reporting (Off default)	<p>Determines whether hard-drive errors for internal drives are reported during system startup.</p> <ul style="list-style-type: none"> • Off — Errors are not reported. • On — Errors are reported.

Onboard Devices	
Integrated NIC (On default)	<p>Enables or disables the integrated network interface controller (NIC).</p> <ul style="list-style-type: none"> • Off — The integrated NIC is disabled. • On — The integrated NIC is enabled. • On w/PXE — The integrated NIC is on (with PXE enabled). <p>NOTE: PXE is required only if you are booting to an operating system located on another computer. If a boot routine is not available from the remote system, the computer attempts to boot from the next device listed in the boot sequence.</p>
Integrated Audio (On default)	<p>Enables or disables the onboard audio controller.</p> <ul style="list-style-type: none"> • Off — Integrated audio is disabled.

	<ul style="list-style-type: none"> ● On — Integrated audio is enabled.
USB Controller (On default)	Enables or disables the internal USB controller. <ul style="list-style-type: none"> ● Off — The USB controller is disabled. ● On — The USB controller is enabled. ● No Boot — The USB controller is enabled; however, the BIOS will not recognize USB storage devices. <p>NOTE: Operating systems with USB support will recognize USB storage devices regardless of the No Boot setting.</p>
1394 Controller (On default)	Enables or disables the integrated IEEE 1394 controller. <ul style="list-style-type: none"> ● Off — The 1394 controller is disabled. ● On — The 1394 controller is enabled.
Serial Port #1 (Auto default)	Disables or selects the address for the integrated serial port and determines how the serial port operates. <ul style="list-style-type: none"> ● Off — The serial port is disabled. ● Auto — The BIOS selects between COM1 and COM3; if both resources are in use the port is disabled. ● COM1 — The port is configured at 3F8h with IRQ 4. ● COM3 — The port is configured at 3E8h with IRQ 4.
PS/2 Mouse Port (On default)	Enables or disables the onboard PS/2-compatible mouse controller. <ul style="list-style-type: none"> ● Off — The PS/2 legacy mouse port is disabled. ● On — The PS/2 legacy mouse port is enabled.
LED color	Adjusts the color of the front and back LEDs (see About Your XPS Computer).

Performance	
Hyper-Threading (On default)	Specifies whether each physical processor appears as one or two logical processors. <ul style="list-style-type: none"> ● Off — Hyper-Threading technology is disabled. ● On — Hyper-Threading technology is enabled. <p>NOTE: If your processor does not support Hyper-Threading, this option does not appear in the Options List.</p>
Multiple CPU Core	Specifies whether the processor has more

(On default)	<p>than one core enabled.</p> <ul style="list-style-type: none"> • Off — Multiple CPU core technology is disabled. • On — Multiple CPU core technology is enabled. <p>NOTE: The performance of some applications may improve with an additional core enabled.</p>
CPU Clock Speed	<p>Provides limited capability to adjust the CPU clock speed so that the CPU operates at a different frequency than that designated in the manufacturer's design specifications.</p> <p>NOTICE: Dell does not recommend operating the CPU at a frequency that is greater than the manufacturer's design specifications (also referred to as <i>over-clocking</i>). Operating the CPU in this manner may cause your system to shut down unexpectedly, may result in a loss of data, and may reduce the operational life of the processor. If the system shuts down unexpectedly or is unstable, select a lower CPU operating frequency.</p> <p>NOTE: Press <Alt><F> to return the processor back to the default setting.</p>
HDD Acoustic Mode (Bypass default)	<p>Determines the acoustic mode at which the hard drive operates.</p> <ul style="list-style-type: none"> • Bypass — Do nothing (needed for older drives). • Quiet — The hard drive operates at its most quiet setting. • Suggested — Allow the hard drive manufacturer to select the mode. • Performance — The hard drive operates at its maximum speed. <p>NOTE: Switching to performance mode may cause an increase in noise produced by the drive, but does not affect the drive's performance.</p> <p>NOTE: Changing the acoustics setting does not alter your hard drive image.</p>

Security	
Admin Password (Not Set default)	Used to prohibit an unauthorized user from changing any configuration settings in the system setup.
System Password (Not Set default)	Used to prohibit an unauthorized user from booting to the operating system.
Password Changes (Unlocked default)	This option locks the system password field with the administrator (admin) password.

	<p>NOTE: When the system password field is locked, you can no longer disable password security by pressing <Ctrl> <Enter> when the computer starts.</p>
<p>Execute Disable (On default)</p>	<p>Enables or disables Execute Disable Memory Protection technology.</p> <ul style="list-style-type: none"> • Off — Execute Disable Memory Protection technology is disabled. • On — Execute Disable Memory Protection technology is enabled.

<p>Power Management</p>	
<p>AC Recovery (Off default)</p>	<p>Specifies how the computer will behave when AC power is restored after an AC power loss.</p> <ul style="list-style-type: none"> • Off — The system stays off after AC power is restored. • On — The system powers on after AC power is restored. • Last — The system returns to the previous state after AC power is restored.
<p>Auto Power On (Off default)</p>	<p>Disables or selects when to automatically turn on the computer.</p> <ul style="list-style-type: none"> • Off — Do not use the Auto Power Time. • Everyday — Turn the computer on every day at the time set in Auto Power Time. • Weekdays — Turn the computer on Monday through Friday at the time set in Auto Power Time. <p>NOTE: This feature does not work if you turn off your computer using a power strip or surge protector.</p>
<p>Auto Power Time</p>	<p>Specifies the time to automatically turn on the computer.</p> <p>Change the time to automatically turn on the computer by pressing the up- or down-arrow key to increase or decrease the numbers, or type the numbers in the appropriate time field.</p> <p>NOTE: This feature does not work if you turn off your computer using a power strip or surge protector.</p>
<p>Suspend Mode (S3 default)</p>	<p>Specifies the power management suspend mode.</p> <ul style="list-style-type: none"> • S1 — The computer resumes more quickly from sleep mode. • S3 — The computer conserves more power when not in use (system memory remains active).

Maintenance

Service Tag	Displays the system service tag.
Load Defaults	This setting restores the computer's factory-installed default settings. <ul style="list-style-type: none">● Cancel — Do not restore factory-installed default settings.● Continue — Restore factory-installed default settings.
Event Log	Displays the system event log. <ul style="list-style-type: none">● Mark all entries — Mark all event log entries as read (R).● Clear log — Clear all event log entries. <p>NOTE: Once an event log entry is marked as read (R) that entry cannot be marked as unread (U).</p>

POST Behavior


Fastboot (On default)	Enables or disables the option to speed up the boot process by skipping some compatibility tests. <ul style="list-style-type: none">● Off — Do not skip any steps in the boot process.● On — Boot quickly.
Numlock Key (On default)	Enables or disables the numerical and mathematical features of the rightmost bank of keys on the keyboard. <ul style="list-style-type: none">● Off — Right keypad keys function as arrows.● On — Right keypad keys function as numbers.
POST Hotkeys (Setup & Boot Menu default)	Specifies the function keys to display on the screen when the computer starts. <ul style="list-style-type: none">● Setup & Boot Menu — Display both messages (F2=Setup and F12=Boot Menu).● Setup — Display the setup message only (F2=Setup).● Boot Menu — Display the Quickboot message only (F12=Boot Menu).● None — Neither message is displayed.
Keyboard Errors (Report default)	Enables or disables keyboard error reporting when the computer starts. <ul style="list-style-type: none">● Report — Display any keyboard errors.● Do not report — Do not display any keyboard errors.


Boot Sequence

This feature allows you to change the boot sequence for the bootable devices installed on your computer.

Option Settings


- **Diskette Drive** — The computer attempts to boot from the floppy drive. If the floppy disk in the drive is not bootable, if no floppy disk is in the drive, or if there is no floppy drive installed in the computer, the computer attempts to boot from the next bootable device in the boot sequence.
- **Hard Drive** — The computer attempts to boot from the primary hard drive. If no operating system is on the drive, the computer attempts to boot from the next bootable device in the boot sequence.
- **CD Drive** — The computer attempts to boot from the CD drive. If no CD is in the drive, or if the CD has no operating system, the computer attempts to boot from the next bootable device in the boot sequence.
- **USB Flash Device** — Insert the memory device into a USB port and restart the computer. When **F12 = Boot Menu** appears in the upper-right corner of the screen, press <F12>. The BIOS detects the device and adds the USB flash option to the boot menu.

 **NOTE:** To boot to a USB device, the device must be bootable. To make sure that your device is bootable, check the device documentation.


 **NOTE:** An error message is generated only after the computer attempts to boot from every device in the boot sequence and no operating system is found.

Changing Boot Sequence for the Current Boot

You can use this feature, for example, to tell the computer to boot from the CD drive so that you can run the Dell Diagnostics on the *Dell ResourceCD*, but you want the computer to boot from the hard drive when the diagnostic tests are complete. You can also use this feature to restart your computer to a USB device such as a floppy drive, memory key, or CD-RW drive.

 **NOTE:** If you are booting to a USB floppy drive, you must first set the floppy drive to **OFF** in system setup (see [System Setup](#)).


1. If you are booting to a USB device, connect the USB device to a USB connector (see [Back View](#)).
2. Turn on (or restart) your computer.
3. When the DELL logo appears, press <F12> immediately.

 **NOTE:** Keyboard failure may result when a key on the keyboard is held down for extended periods of time. To avoid possible keyboard failure, press and release <F12> in even intervals until the **Boot Device Menu** appears.

If you wait too long and the operating system logo appears, continue to wait until you see the Microsoft Windows desktop, then shut down your computer and try again.


4. At the **Boot Device Menu**, use the up- and down-arrow keys or press the appropriate number on the keyboard to highlight the device that is to be used for the current boot only, and then press <Enter>.

For example, if you are booting to a USB memory key, highlight **USB Flash Device** and press <Enter>.

 **NOTE:** To boot to a USB device, the device must be bootable. To make sure that your device is bootable, check the device documentation.

Changing Boot Sequence for Future Boots


1. Enter system setup (see [Entering System Setup](#)).
2. Use the arrow keys to highlight the **Boot Sequence** menu option and press <Enter> to access the menu.

 **NOTE:** Write down your current boot sequence in case you want to restore it.

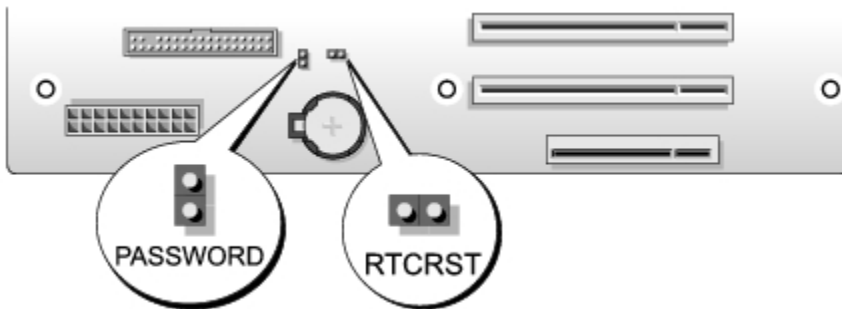
3. Press the up- and down-arrow keys to move through the list of devices.
4. Press the spacebar to enable or disable a device (enabled devices have a checkmark).
5. Press plus (+) or minus (-) to move a selected device up or down the list.

Clearing Forgotten Passwords

 **CAUTION:** Before you begin any of the procedures in this section, follow the safety instructions in the *Product Information Guide*.


 **NOTICE:** This process erases both the system and setup passwords

1. Follow the procedures in [Before You Begin](#).
2. Remove the computer cover (see [Removing the Computer Cover](#)).



3. Locate the 2-pin password jumper (PASSWORD) on the system board (see [System Board Components](#)), then remove the jumper plug and set the plug aside.
4. Close the computer cover.
5. Connect your keyboard and mouse, then connect your computer and monitor to electrical outlets and turn them on.
6. After the Microsoft® Windows® desktop appears on your computer, turn the computer off:
 - a. Click **Start**, then click **Turn Off Computer**.
 - b. In the **Turn off computer** window, click **Turn off**.


The computer performs a shutdown of the operating system, and then turns off.

 **NOTE:** Ensure that the computer is off and not in a power management mode. If you cannot shut down the computer using the operating system, press and hold the power button for 4 seconds.

7. Disconnect the keyboard and mouse, then disconnect the computer and monitor from their electrical outlets.


8. Press the power button on the computer to ground the system board.

9. Open the computer cover (see [Removing the Computer Cover](#)).


 **NOTICE:** The password jumper plug must be reinstalled on the password jumper pins in order to enable the password feature.

10. Locate the 2-pin password jumper on the system board (see [System Board Components](#)), and then reinstall the jumper plug to enable the password feature.

11. Replace the computer cover (see [Replacing the Computer Cover](#)).


 **NOTICE:** To connect a network cable, first plug the cable into the network wall jack and then plug it into the computer.

12. Connect your computer and devices to electrical outlets, and then turn them on.

 **NOTE:** In system setup (see [Entering System Setup](#)), both system and administrator password options appear as **Not Set**. The password feature is enabled but a password is not assigned.

Clearing CMOS Settings

 **CAUTION:** Before you begin any of the procedures in this section, follow the safety instructions in the *Product Information Guide*.


 **NOTE:** This procedure does not clear or reset system and setup passwords.

1. Follow the procedures in [Before You Begin](#).

2. Remove the computer cover (see [Removing the Computer Cover](#)).


3. Locate the password (PASSWORD) and CMOS (RTCRST) jumpers on the system board (see [System Board Components](#)).

4. Remove the password jumper plug, then place the plug on the CMOS jumper pins and wait approximately 5 seconds.

 **NOTICE:** The password jumper plug must be reinstalled on the password jumper pins in order to enable the password feature.

5. Remove the jumper plug from the CMOS jumper pins, and then reinstall the plug on the password jumper pins to enable the password feature.

6. Close the computer cover (see [Replacing the Computer Cover](#)).

 **NOTICE:** To connect a network cable, first plug the cable into the network wall jack and then plug it into the computer.

7. Connect your computer and devices to electrical outlets, and then turn them on.

[Back to Contents Page](#)

Technical Specifications

Dell™ XPS™ 700 Service Manual

Processor	
Processor type	Intel® Core™ 2 Duo (dual-core processor) Intel® Core™ 2 Extreme (quad-core processor)
Cache	at least 1 MB

Memory	
Type	533-, and 667-MHz DDR2 unbuffered SDRAM
Memory connectors	four
Memory capacities	512 MB, 1 GB, or 2 GB non-ECC
Minimum memory	1 GB
Maximum memory	8 GB NOTE: See Addressing Memory Configurations to verify the amount of memory available to the operating system.
BIOS address	F0000h

Computer Information	
Chipset	NVIDIA nForce 590 SLI MCP
Northbridge	C19
Southbridge	MCP55
DMA channels	five
Interrupt levels	24
BIOS chip (NVRAM)	4 Mb
NIC	integrated network interface capable of 10/100/1000 communication
System clock	1066-MHz data rate

Video	
Type	PCI Express

Audio	
Type	HDA 7.1 channel

Expansion Bus	
Bus type	PCI 32-bit PCI Express x1 and x16
Bus speed	PCI: 33 MHz
Bus throughput	PCI Express: x1 slot bidirectional speed — 2.5 Gbps x16 slot bidirectional speed — 40 Gbps
PCI	
connector	three
connector size	124 pins
connector data width (maximum)	32 bits
PCI Express	
	NOTE: If a graphics card is installed in each of the PCI Express x16 card slots in the dual-graphics configuration, the PCI Express x1 card slot is not accessible for use.
connector	one x1
connector size	36 pins
connector data width (maximum)	1 PCI Express lane
PCI Express	
connector	one x8
connector size	98 pins
connector data width (maximum)	4 PCI Express lanes
PCI Express	
connector	two x16
connector size	164 pins
connector data width (maximum)	16 PCI Express lanes

Drives	
Available devices	Serial ATA drive, floppy drive, memory devices, DVD drive, DVD-RW drive, CD-RW/DVD combo drive, and media card reader
Externally accessible:	two 3.5-inch drive bays four 5.25-inch drive bays
Internally accessible:	four 3.5-inch drive bays for hard drives

Connectors	
External connectors:	
IEEE 1394	front and back-panel 6-pin serial connectors
Network adapter	RJ45 connector

PS/2 (keyboard and mouse)	two 6-pin mini-DIN
Serial	9-pin connector
USB	two front-panel, six back-panel, and two internal USB 2.0-compliant connectors
System board connectors:	
IDE drive	one 40-pin connector
Serial ATA	six 7-pin connectors
Floppy drive	34-pin connector
Fan	four 5-pin connectors
PCI	three 124-pin connectors
PCI Express x1	36-pin connector
PCI Express x8	98-pin connector
PCI Express x16	two 164-pin connectors

Controls and Lights	
Power control	push button
Power light	<p>green light — Blinking green in sleep state; solid green for power-on state.</p> <p>amber light — Blinking amber indicates a problem with an installed device; solid amber indicates an internal power problem.</p>
Hard-drive access light	green
Network activity light (front panel)	solid green indicates network connection
Link integrity light (on integrated network adapter)	<p>green light — A good connection exists between a 10-Mbps network and the computer.</p> <p>orange light — A good connection exists between a 100-Mbps network and the computer.</p> <p>yellow light — A good connection exists between a 1-GB (1000-Mbps) network and the computer.</p> <p>off (no light) — The computer is not detecting a physical connection to the network.</p>
Activity light (on integrated network adapter)	yellow blinking light when there is activity on the network; if there is not any network activity, the light will be off
Diagnostic lights	four lights on the front panel (see Diagnostic Lights)
Standby power light	AUXPWR on the system board
front panel LEDs	<p>eight multi-colored LEDs provide illumination for the front of the computer</p> <p>NOTE: The color of the front panel LEDs can be adjusted in system setup (see System Setup).</p>

back panel LEDs	two multi-colored lights provide illumination for the I/O panel on the back of the computer NOTE: The color of the back panel LEDs can be adjusted in system setup (see System Setup).
-----------------	---

Power	
DC power supply:	CAUTION: To reduce the risk of fire, electric shock, or injury, do not overload an electrical outlet, power strip, or convenience receptacle. The total ampere rating of all products plugged into an electrical outlet, power strip, or other receptacle should not exceed 80 percent of the branch circuit rating.
Wattage	750 W or 1 KW
Heat dissipation	750 W: 2559 BTU/hr or 1 KW: 3412 BTU/hr NOTE: Heat dissipation is calculated based upon the power supply wattage rating.
Voltage (see the safety instructions located in the <i>Product Information Guide</i>)	auto-sensing power supply—90 V to 265 V at 50/60 Hz
Backup battery	3-V CR2032 lithium coin cell

Physical	
Height	
Without stand	55.5 cm (21.9 inches)
With stand	57.2 cm (22.5 inches)
Width	
Without stand	21.9 cm (8.6 inches)
With stand	35.6 cm (14.0 inches)
Depth	59.4 cm (23.4 inches)
Weight	
Typical configuration	21.7 kg (47.8 lb)
Maximum configuration	25.6 kg (56.4 lb)

Environmental	
Temperature:	
Operating	10° to 35°C (50° to 95°F)
Storage	–40° to 65°C (–40° to 149°F)
Relative humidity	20% to 80% (noncondensing)

Maximum vibration:	
Operating	0.25 G at 3 to 200 Hz at 0.5 octave/min
Storage	0.5 G at 3 to 200 Hz at 1 octave/min
Maximum shock:	
Operating	bottom half-sine pulse with a change in velocity of 20 inches/sec (50.8 cm/sec)
Storage	27-G faired square wave with a velocity change of 200 inches/sec (508 cm/sec)
Altitude:	
Operating	-15.2 to 3048 m (-50 to 10,000 ft)
Storage	-15.2 to 10,668 m (-50 to 35,000 ft)

[Back to Contents Page](#)